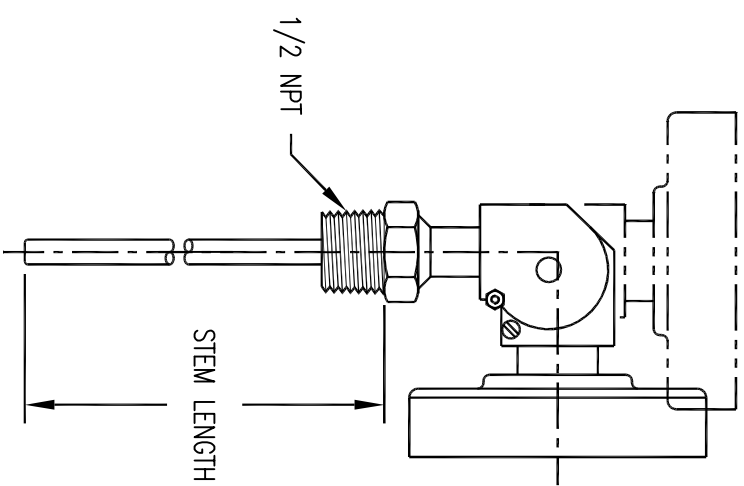
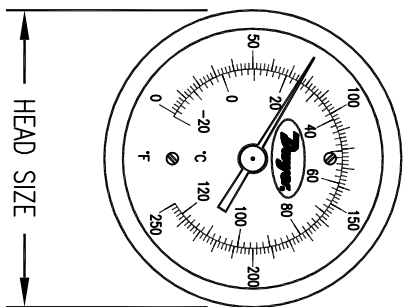


BACK CONNECTION



ADJUSTABLE ANGLE CONNECTION

SCALE 1:2

STANDARD TOLERANCES UNLESS NOTED:
 ALL FRACTIONAL DIMENSIONS ± 1/64
 ALL DECIMAL DIMENSIONS ± .005
 ALL ANGLES ± 1°

NO.	CHANGES	BY/DATE	DATE	NAME	BIMETAL THERMOMETER	MATERIAL
			DWN BY			
			CHKD			FINISH
			APPD			DWYER INSTRUMENTS, INC. MICHIGAN CITY, INDIANA 46360 U.S.A.
						FR. NO.

NOTICE: This drawing and the principles and elements of design embodied therein are the exclusive property of DWYER INSTRUMENTS, INC. and are not to be communicated, disclosed, reproduced or used except as previously authorized in writing by such corporation and must not be submitted to outside parties for examination without the written consent of said corporation.