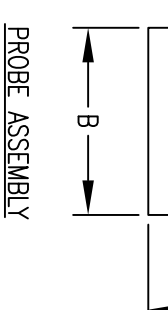
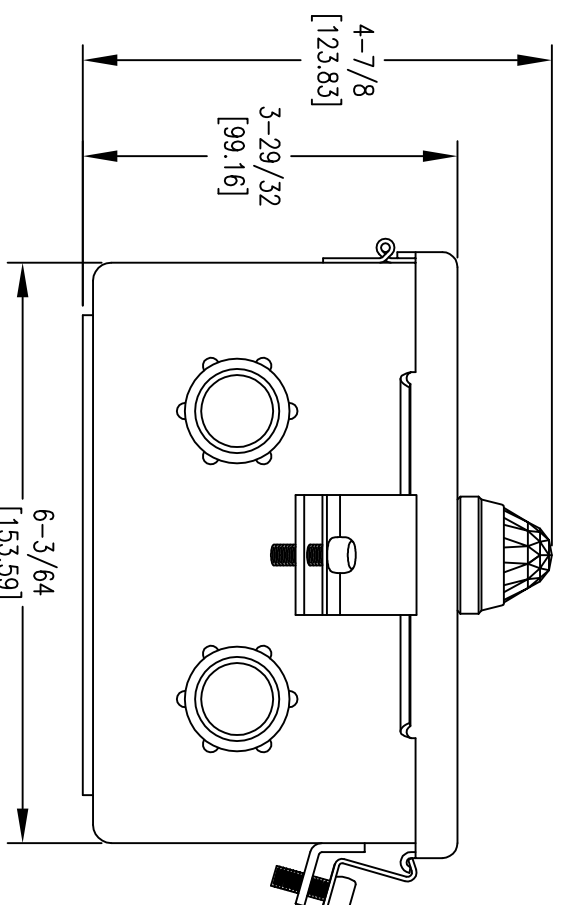


PROBE TYPE	C IN(CM)	B IN(CM)
STANDARD	9" (22.86)	1-7/8 [47.63]
COMPACT	6" (15.24)	1-7/16 [36.51]



SCALE 1:2

④ = CRITICAL DIMENSION  
STANDARD TOLERANCES UNLESS NOTED:  
ALL DECIMAL DIMENSIONS ± .005  
ALL ANGLES ± 1°

CONTROL UNIT

PROBE ASSEMBLY

NO.	CHANGES	BY/DATE	DATE	NAME	MATERIAL
			DWN BY	LTC & LTS SERIES	FINISH
			CHKD	TILT SWITCH PROBE	
			APPD	TILT SWITCH CONTROL UNIT	
ACAD2002					<b>DWYER INSTRUMENTS, INC.</b> MICHIGAN CITY, INDIANA 46360 U.S.A.
FR. NO. 3					

NOTICE: This drawing and the principles and elements of design embodied therein are the exclusive property of DWYER INSTRUMENTS, INC. and are not to be communicated, disclosed, reproduced or used except as previously authorized in writing by such corporation and must not be submitted to outside parties for examination without the written consent of said corporation.