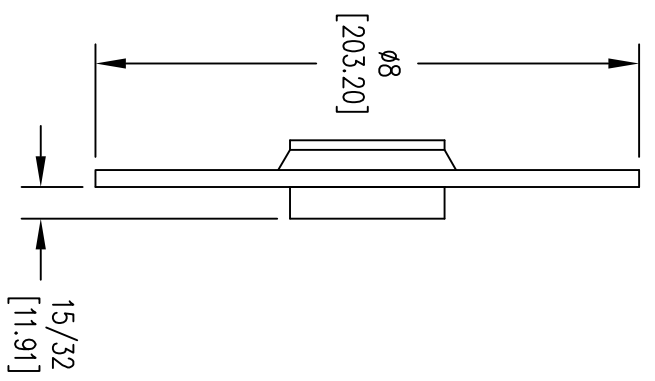
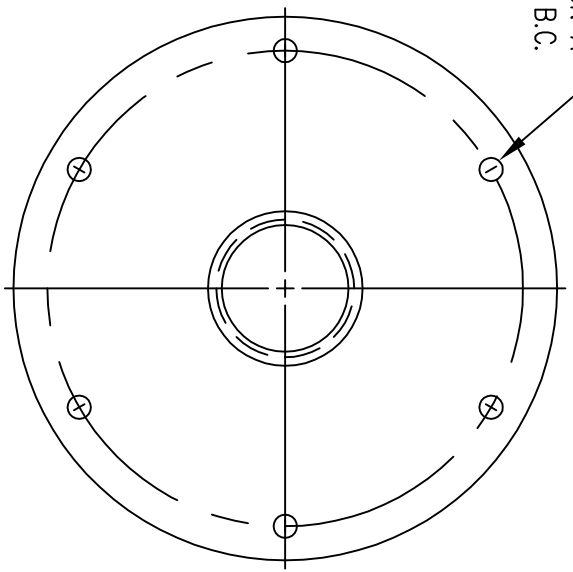


(6) $\phi 11/32$ [8.73] HOLE
EQUALLY SPACED ON A
7 [177.80] B.C.



SCALE 1:3

STANDARD TOLERANCES UNLESS NOTED:
ALL FRACTIONAL DIMENSIONS $\pm 1/64$
ALL DECIMAL DIMENSIONS \pm
ALL ANGLES $\pm 0^\circ$

		DATE	NAME		DBLM MINI-BIN DRY BULK LEVEL MONITOR ACADR14	MATERIAL	DWYER INSTRUMENTS, INC. MICHIGAN CITY, INDIANA 46360 U.S.A.
		DWN BY				FINISH	
		CHKD					
		APPD					
NO.	CHANGES	BY/DATE			FR. NO.		

NOTICE: This drawing and the principles and elements of design embodied therein are the exclusive property of DWYER INSTRUMENTS, INC. and are not to be communicated, disclosed, reproduced, or used in writing by such corporation and must not be submitted to outside parties for examination without the written consent of said corporation.