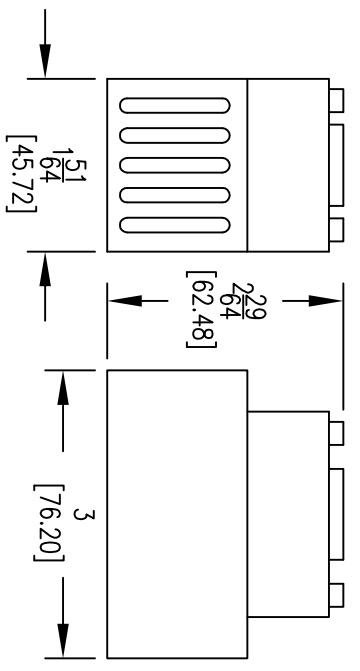
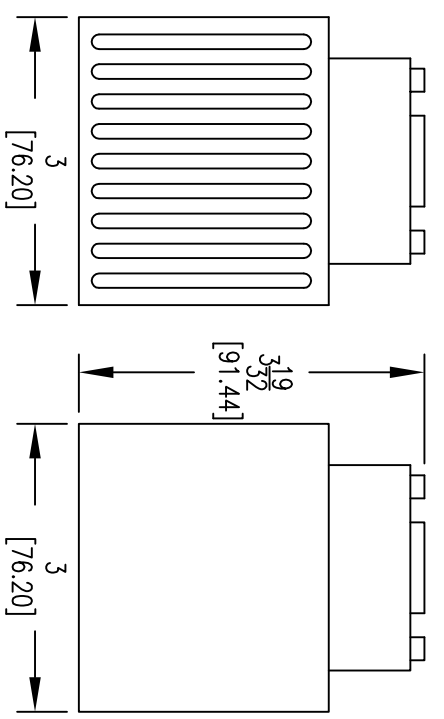


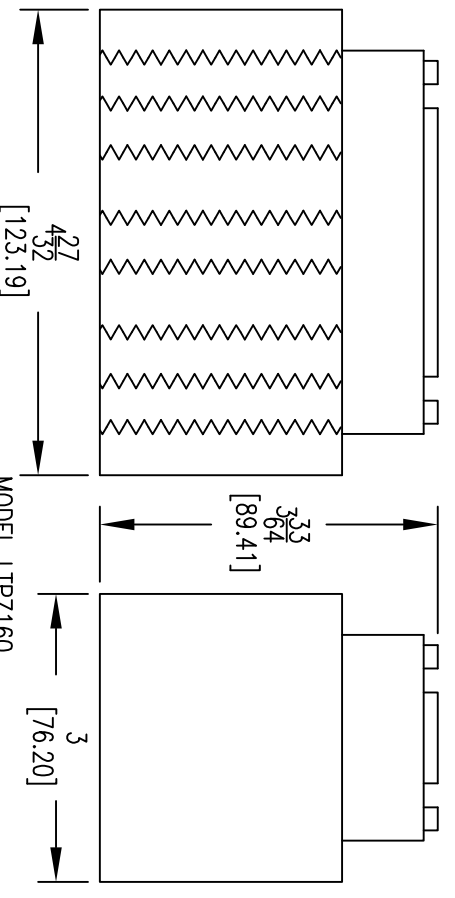
MODEL LTPZ140



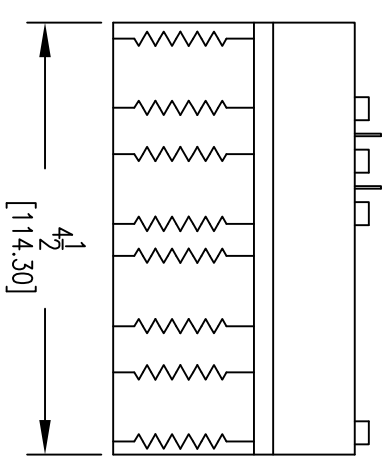
MODEL LTPZ125



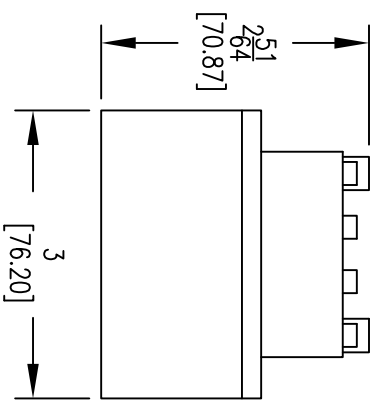
MODEL LTPZ150



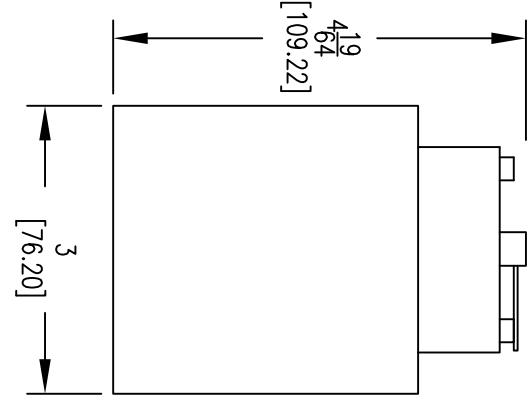
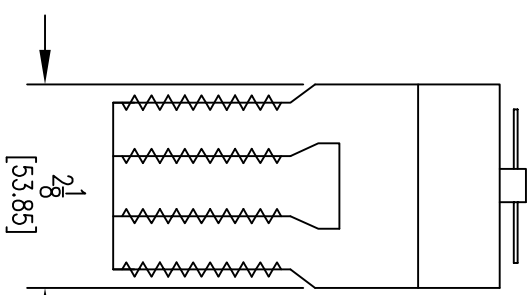
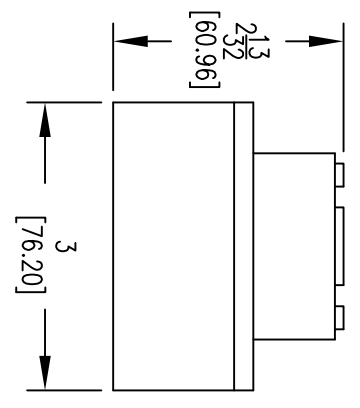
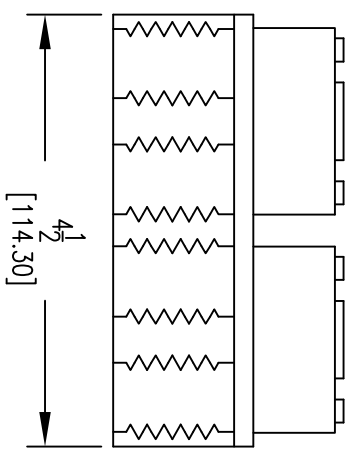
MODEL LTPZ160



MODEL LTPZ330



MODEL LTPZ340



MODEL LTPZ140

© = CRITICAL DIMENSION  
 STANDARD TOLERANCES UNLESS NOTED:  
 ALL DECIMAL DIMENSIONS ± .005  
 ALL ANGLES ± 1°

		DATE		NAME		LTP SERIES SINGLE & THREE PHASE SOLID STATE RELAY	MATERIAL	
		DWN BY						FINISH
		CHKD						
		APPD						
NO.		CHANGES		BY/DATE		ACAD2002	FR. NO.	
<p>NOTICE: This drawing and the principles and elements of design embodied therein are the exclusive property of DWYER INSTRUMENTS, INC. and are not to be communicated, disclosed, reproduced or used except as previously authorized in writing by such corporation and must not be submitted to outside parties for examination without the written consent of said corporation.</p>								
				<p><b>DWYER INSTRUMENTS, INC.</b>          MICHIGAN CITY, INDIANA 46360 U.S.A.</p>				