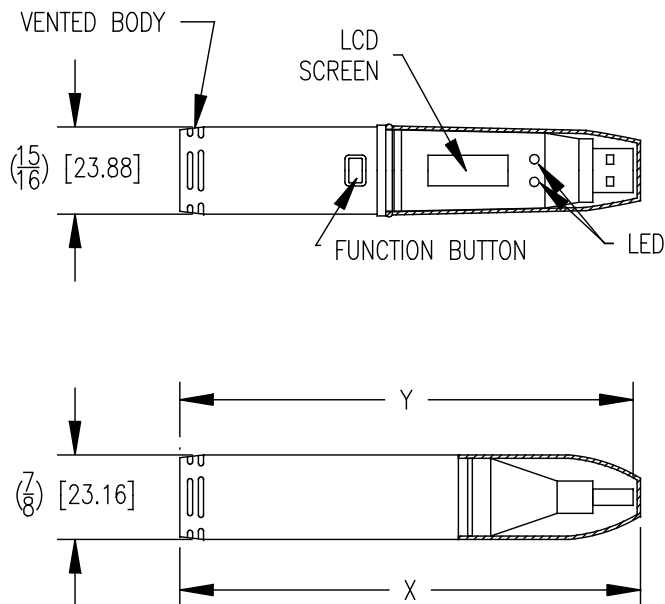


MODEL	OVERALL LENGTH (X)	BASE LENGTH (Y)	BODY	CAP	LED
DW-USB-1-LCD	4-21/32"	4-41/64"	STANDARD	TRANSPARENT	RED/GREEN
DW-USB-2-LCD	4-31/32"	4-57/64"	VENTED	TRANSPARENT	RED/GREEN
DW-USB-6-LCD	5-19/64"	5-15/64"	PLUG IN BOTTOM	TRANSPARENT	RED/GREEN
DW-USB-2-HA-LCD	4-31/32"	4-57/64"	VENTED	TRANSPARENT	RED/GREEN



Ⓢ = CRITICAL DIMENSION
 STANDARD TOLERANCES UNLESS NOTED:
 ALL DECIMAL DIMENSIONS ± .005
 ALL ANGLES ± 1°

			DATE 9-3-15	NAME	MATERIAL
			DWN BY CM	ARTWORK DW-USB-LCD	FINISH
			CHKD		
			APPD	(FOR REFERENCE ONLY)	DWYER INSTRUMENTS, INC. MICHIGAN CITY, INDIANA 46360 U.S.A.
NO.	CHANGES	BY/DATE		ACAD2002	FR. NO. 701374-01

NOTICE: This drawing and the principles and elements of design embodied therein are the exclusive property of DWYER INSTRUMENTS, INC. and are not to be communicated, disclosed, reproduced or used except as previously authorized in writing by such corporation and must not be submitted to outside parties for examination without the written consent of said corporation.