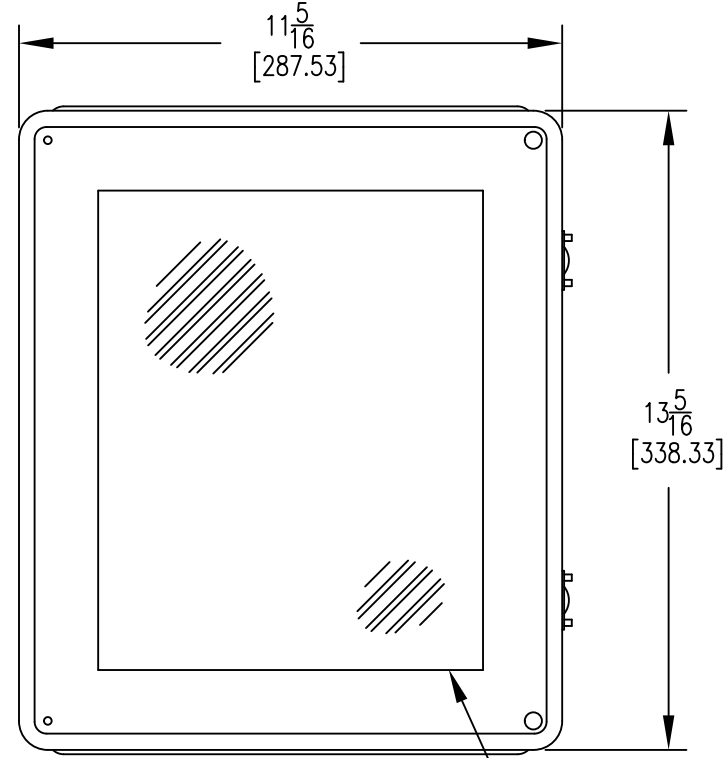
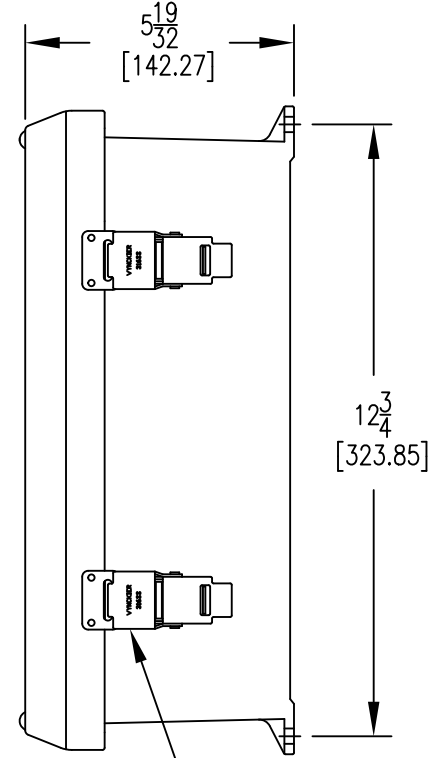


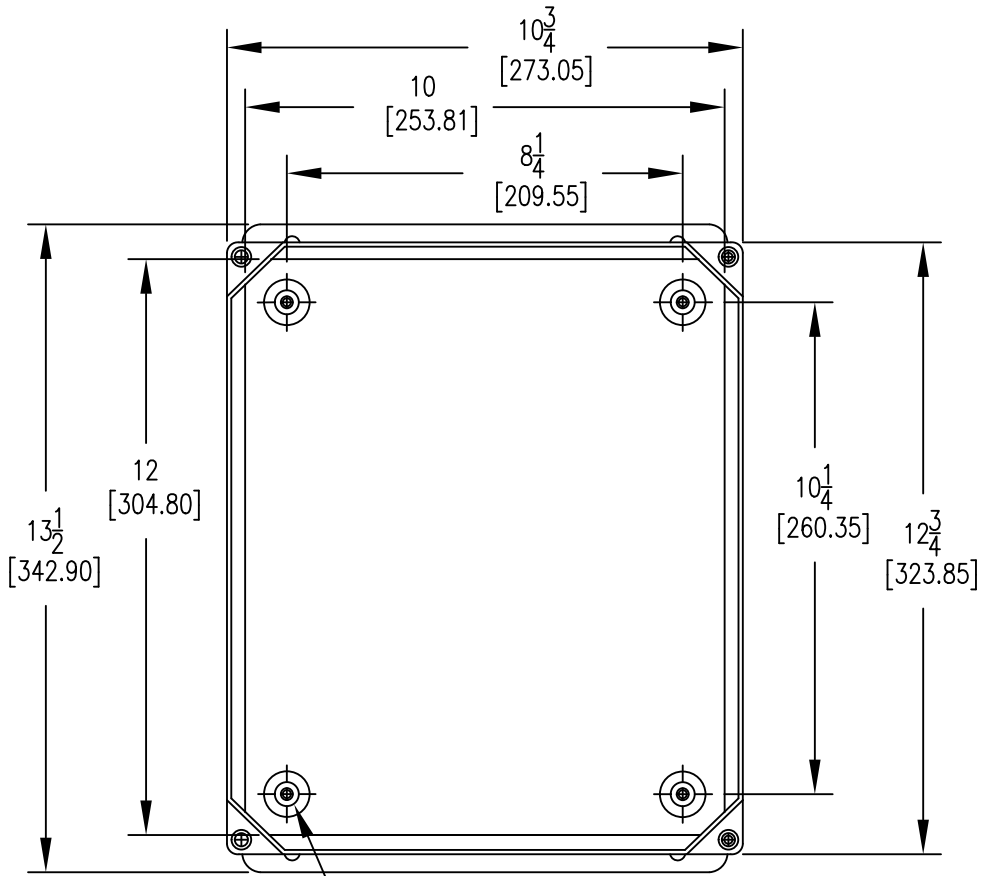
PRESSURE PORTS  
WPP AND WPPS OPTIONS ONLY



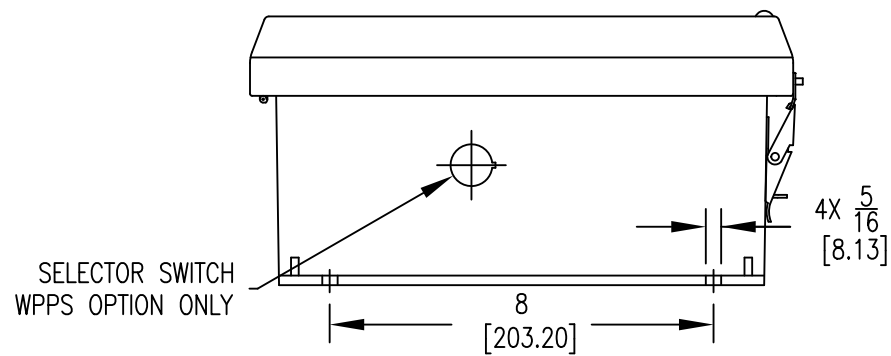
10X8 POLYCARBONATE BONDED  
WINDOW. MOUNTED FLUSH



316 STAINLESS STEEL  
PADLOCK LATCH ATTACHED  
WITH RIVETS. Ø.375 PADLOCK EYE



10-32 X .25  
INSERT X 4



SELECTOR SWITCH  
WPPS OPTION ONLY

INCLUDED MODELS

- DCT5XXA-L-WP
- DCT5XXADC-L-WP
- DCT6XX-L-WP
- DCT6X2-WP
- DCT1XXX-WP
- DCT1XXX-WPP
- DCT1XXX-WPPS
- DCT1XXXDC-WP
- DCT1XXXDC-WPP
- DCT1XXXDC-WPPS
- 100506-30
- 100506-31
- 100506-32

SCALE 1:4

Ⓢ = CRITICAL DIMENSION  
STANDARD TOLERANCES UNLESS NOTED:  
ALL DECIMAL DIMENSIONS ± .005  
ALL ANGLES ± 1°

		DATE	4-24-08	NAME	ARTWORK	MATERIAL	
		DWN BY	KAS	DCT1000 / DCT1000DC WP, WPP AND WPPS OPTIONS		FINISH	
		CHKD	CAT			<b>DWYER INSTRUMENTS, INC.</b> MICHIGAN CITY, INDIANA 46360 U.S.A.	
		APPD	BLP				
NO.	CHANGES	BY/DATE					

NOTICE: This drawing and the principles and elements of design embodied therein are the exclusive property of DWYER INSTRUMENTS, INC. and are not to be communicated, disclosed, reproduced or used except as previously authorized in writing by such corporation and must not be submitted to outside parties for examination without the written consent of said corporation.

ACAD2002