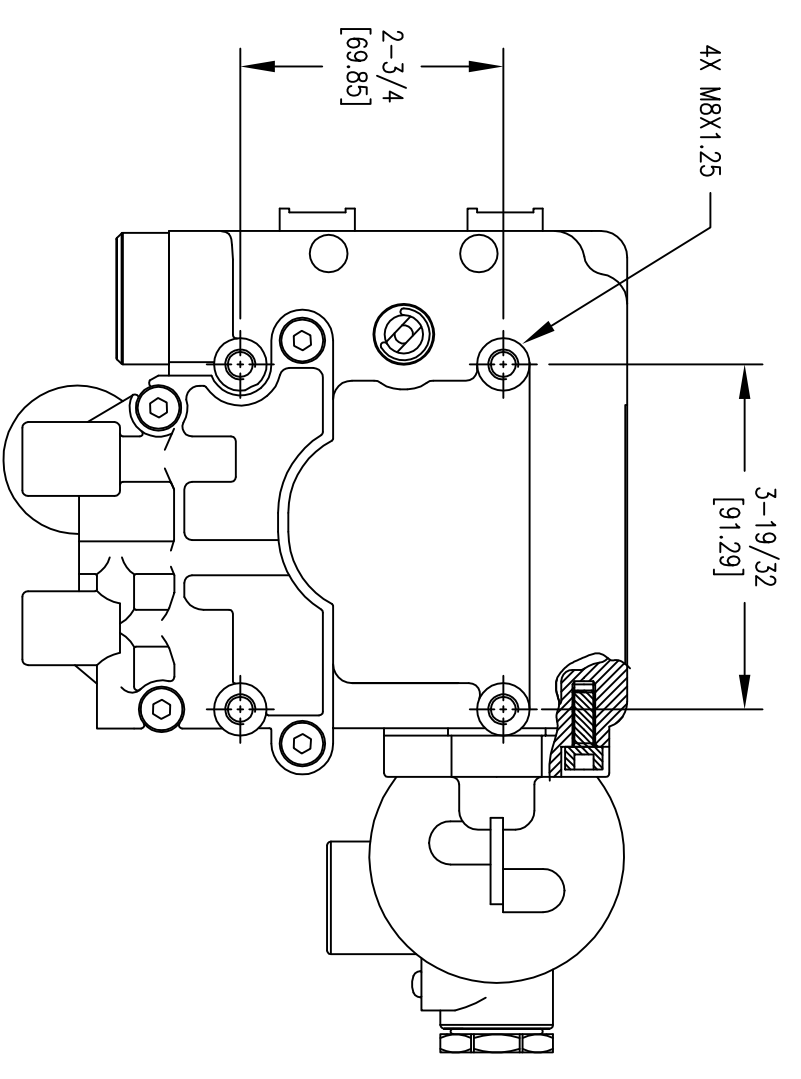
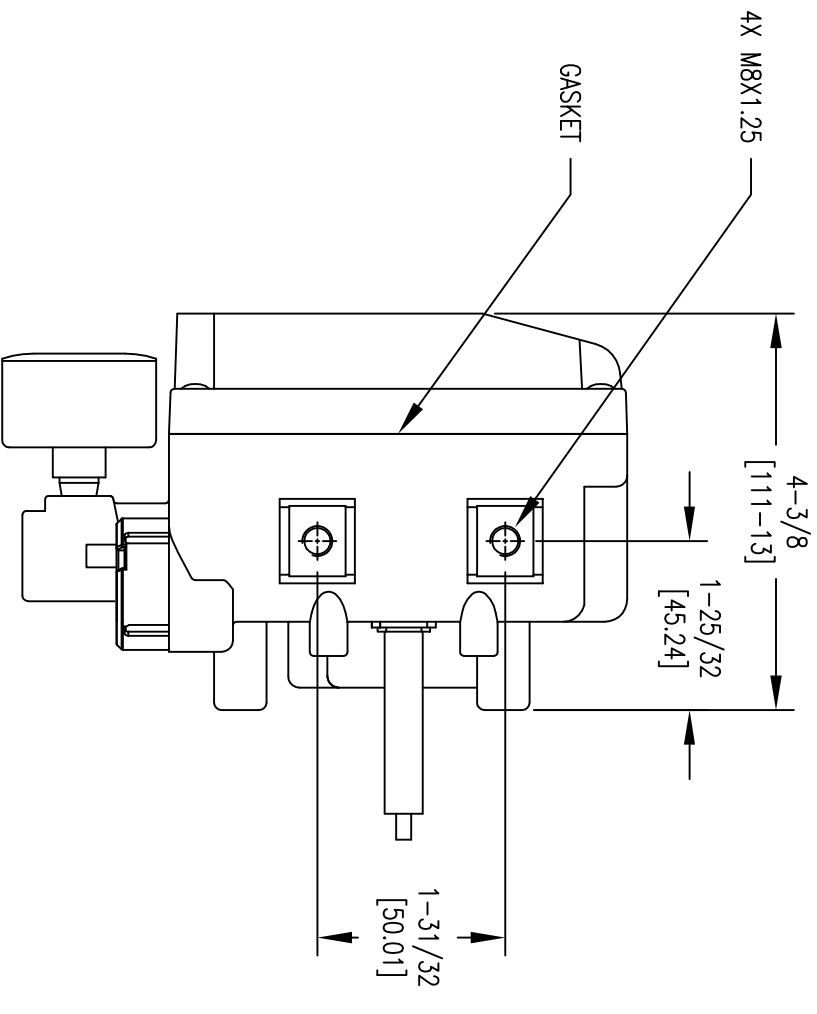
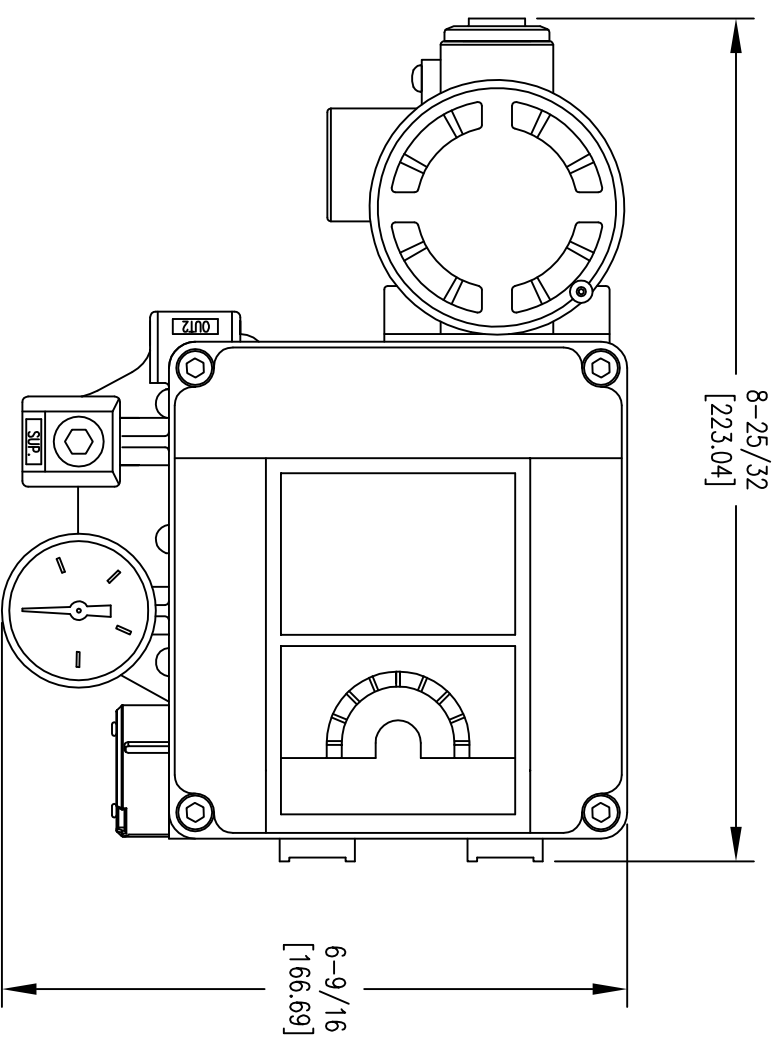


STANDARD VERSION



STAINLESS STEEL VERSION

② = CRITICAL DIMENSION
 STANDARD DIMENSIONS UNLESS NOTED:
 ANGLES ± 1°
 ALL ANGLES ± 1°

| | | | | | | | |
|----------------------|--|---------|--|--|--|----------------------|--|
| NO. | | CHANGES | | DATE | | NAME | |
| | | | | DWN BY | | ARTWORK | |
| | | | | CHKD | | 265ER SERIES | |
| | | | | APPD | | (FOR REFERENCE ONLY) | |
| | | | | BY/DATE | | ACAD2002 | |
| | | | | | | 3 | |
| MATERIAL | | | | FINISH | | | |
| FR. NO. RB-700951-00 | | | | Dwyer Instruments, Inc. Michigan City, Indiana 46360 U.S.A. | | | |

NOTE: This drawing and the procedure and elements of design embodied therein are the exclusive property of DWYER INSTRUMENTS, INC. and are not to be used for any other purpose without the written consent of said corporation.