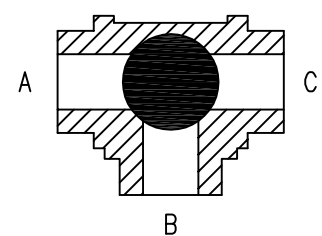
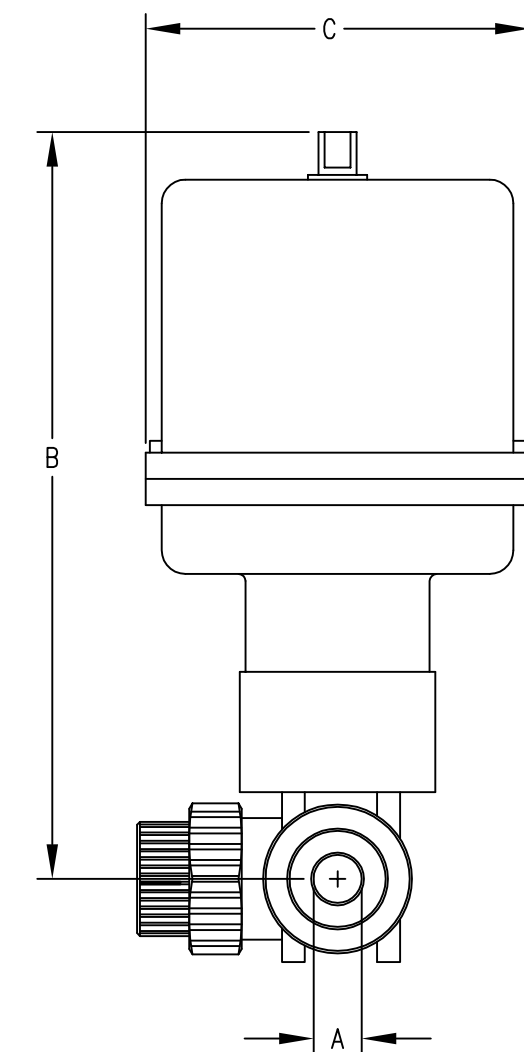
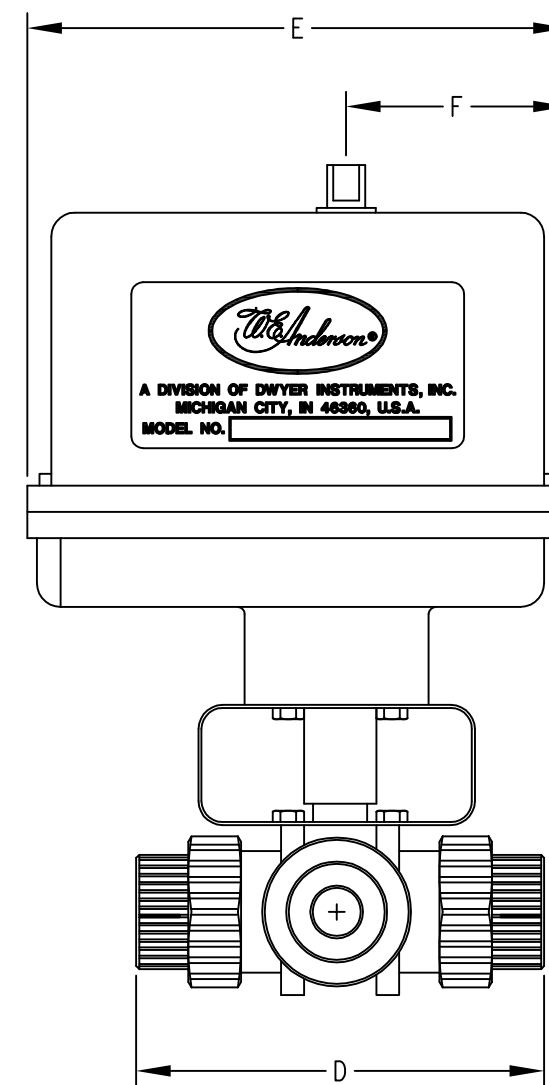
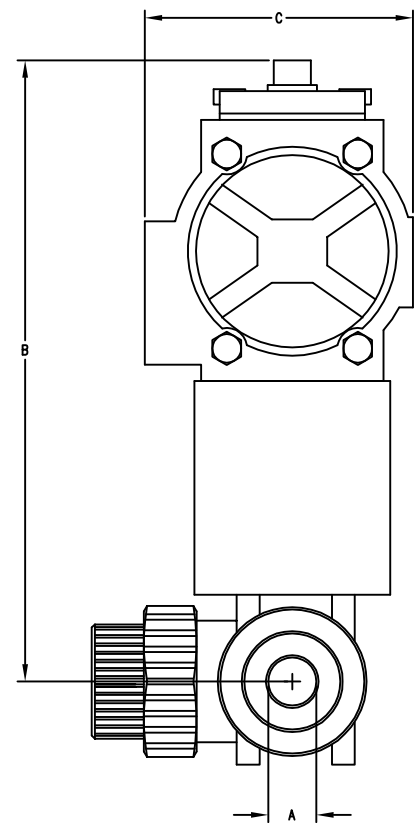
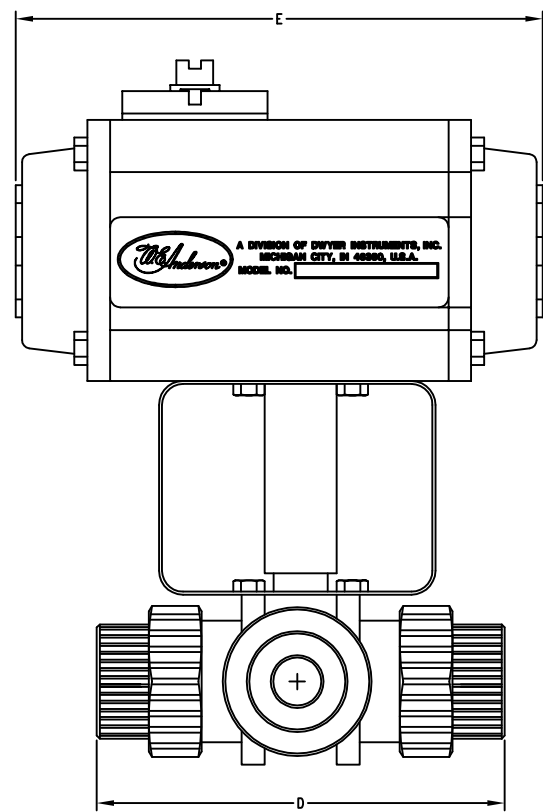


PNEUMATIC DOUBLE ACTING						
INCHES/[MM]						
A	1/2"	3/4"	1"	1-1/4"	1-1/2"	2"
B	6-1/32 [153.19]	6-15/64 [158.35]	6-25/64 [162.32]	6-35/64 [166.29]	7-5/8 [193.68]	7-13/16 [198.44]
C	1-49/64 [44.85]	1-49/64 [44.85]	1-49/64 [44.85]	1-49/64 [44.85]	2-51/64 [71.04]	2-51/64 [71.04]
D	4-1/4 [107.95]	5-3/64 [128.19]	5-43/64 [144.07]	6-13/16 [143.04]	7-49/64 [197.25]	7-59/64 [201.22]
E	4-21/64 [109.93]	4-21/64 [109.93]	4-21/64 [109.93]	4-21/64 [109.93]	5-1/2 [139.7]	5-1/2 [139.7]
ACT.	DA1	DA1	DA1	DA1	DA2	DA2
WEIGHT (LBS)	1.47	1.76	2.03	2.73	4.88	6.38

PNEUMATIC SPRING RETURN						
INCHES/[MM]						
A	1/2"	3/4"	1"	1-1/4"	1-1/2"	2"
B	6-15/32 [164.31]	6-43/64 [169.47]	6-53/64 [173.43]	6-57/64 [175.02]	8-3/64 [204.39]	8-1/4 [209.55]
C	2-51/64 [71.04]	2-51/64 [71.04]	2-51/64 [71.04]	2-51/64 [71.04]	3-11/64 [80.57]	3-11/64 [80.57]
D	4-1/4 [107.95]	5-3/64 [128.19]	5-43/64 [144.07]	6-13/16 [143.04]	7-49/64 [197.25]	7-59/64 [201.22]
E	5-1/2 [139.7]	5-1/2 [139.7]	5-1/2 [139.7]	5-1/2 [139.7]	6-3/8 [161.93]	6-3/8 [161.93]
ACT.	SR2	SR2	SR2	SR2	SR3	SR3
WEIGHT (LBS)	3.07	3.36	3.63	4.33	6.53	8.03

ELECTRIC (NEMA 4 ENCL.)												
INCHES/[MM]												
A	1/2"		3/4"		1"		1-1/4"		1-1/2"		2"	
B	7-25/32 [197.64]	8-43/64 [220.27]	7-63/64 [202.80]	8-55/64 [225.03]	8-9/64 [206.77]	9-1/64 [229]	8-25/64 [213.12]	9-17/64 [235.35]	8-17/32 [216.69]	9-13/32 [238.92]	9-23/32 [246.86]	
C	4 [101.60]	4-1/4 [107.95]	4 [101.60]	4-1/4 [107.95]	4 [101.60]	4-1/4 [107.95]	4 [101.60]	4-1/4 [107.95]	4 [101.60]	4-1/4 [107.95]	4 [101.60]	4-1/4 [107.95]
D	4-1/4 [107.95]		5-3/64 [128.19]		5-43/64 [144.07]		6-13/16 [173.04]		7-49/64 [197.25]		7-59/64 [201.22]	
E	5-5/8 [142.88]	6-11/16 [169.86]	5-5/8 [142.88]	6-11/16 [169.86]	5-5/8 [142.88]	6-11/16 [169.86]	5-5/8 [142.88]	6-11/16 [169.86]	5-5/8 [142.88]	6-11/16 [169.86]	5-5/8 [142.88]	6-11/16 [169.86]
F	2-5/16 [58.74]	2-7/16 [61.91]	2-5/16 [58.74]	2-7/16 [61.91]	2-5/16 [58.74]	2-7/16 [61.91]	2-5/16 [58.74]	2-7/16 [61.91]	2-5/16 [58.74]	2-7/16 [61.91]	2-5/16 [58.74]	2-7/16 [61.91]
ACT.	U11	V12	U11	V12	U11	V12	U11	V12	U11	V12	U12	V12
WEIGHT (LBS)	5.42	9.42	5.71	9.71	5.98	9.98	6.68	10.68	7.58	11.58	11.08	13.08



CONFIGURATION	FLOW PATH	
	ACT. OPEN	ACT. CLOSED
"L" PORT	-L1	B-C A-B
	-L2	A-B ALL CLOSED
	-L3	ALL CLOSED B-C
"T" PORT	-T1	ALL OPEN A-B
	-T2	A-B A-C
	-T3	A-C B-C
	-T4	B-C ALL OPEN

Ⓢ = CRITICAL DIMENSION
STANDARD TOLERANCES UNLESS NOTED:
ALL DECIMAL DIMENSIONS ± .005
ALL ANGLES ± 1°

NO.	CHANGES	BY/DATE	DATE	NAME	MATERIAL
				3PBV SERIES AUTOMATED BALL VALVE -THREE WAY PLASTIC	FINISH
					DWYER INSTRUMENTS, INC. MICHIGAN CITY, INDIANA 46360 U.S.A.
					FR. NO.

NOTICE: This drawing and the principles and elements of design embodied therein are the exclusive property of DWYER INSTRUMENTS, INC. and are not to be communicated, disclosed, reproduced or used except as previously authorized in writing by such corporation and must not be submitted to outside parties for examination without the written consent of said corporation.