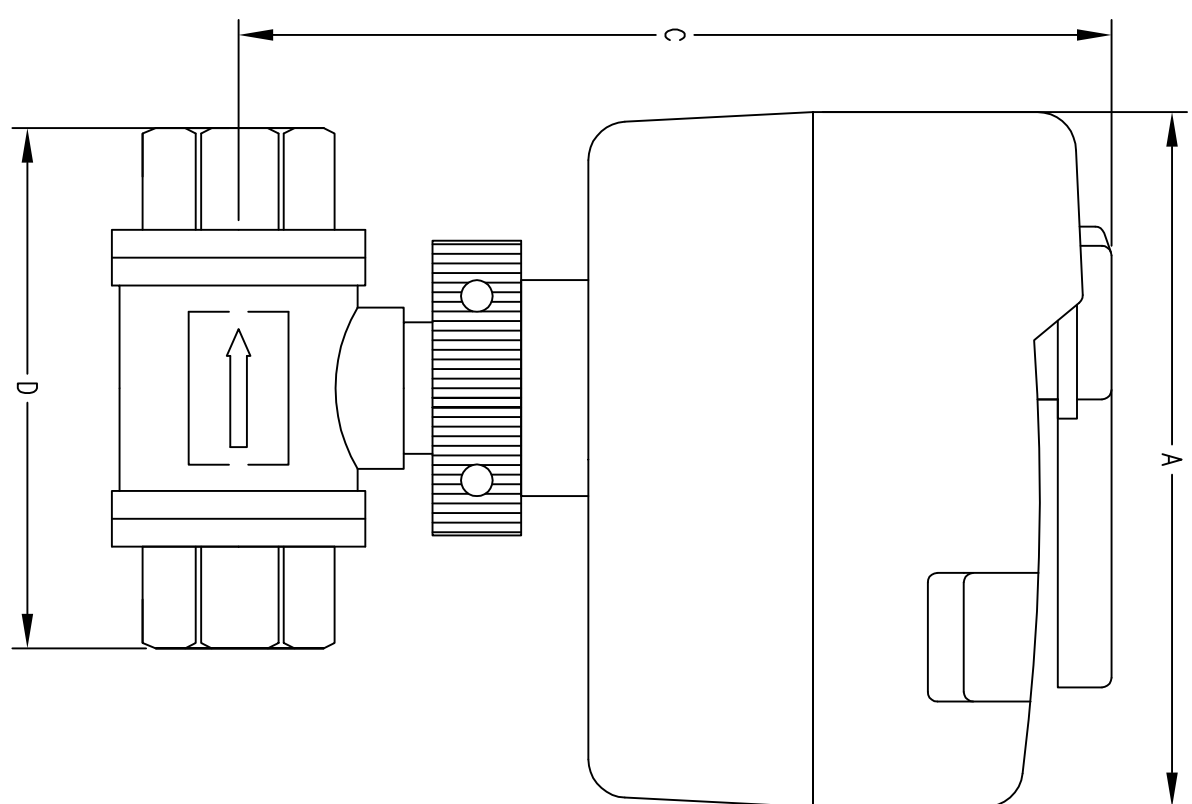
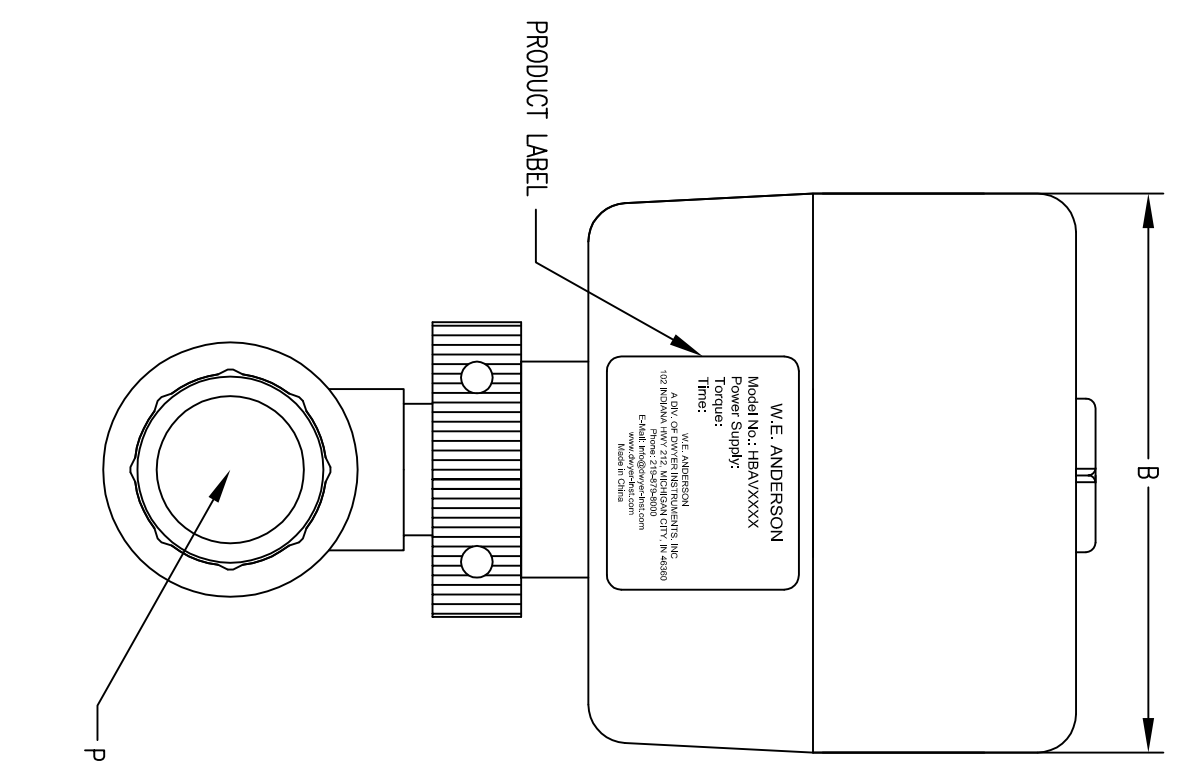
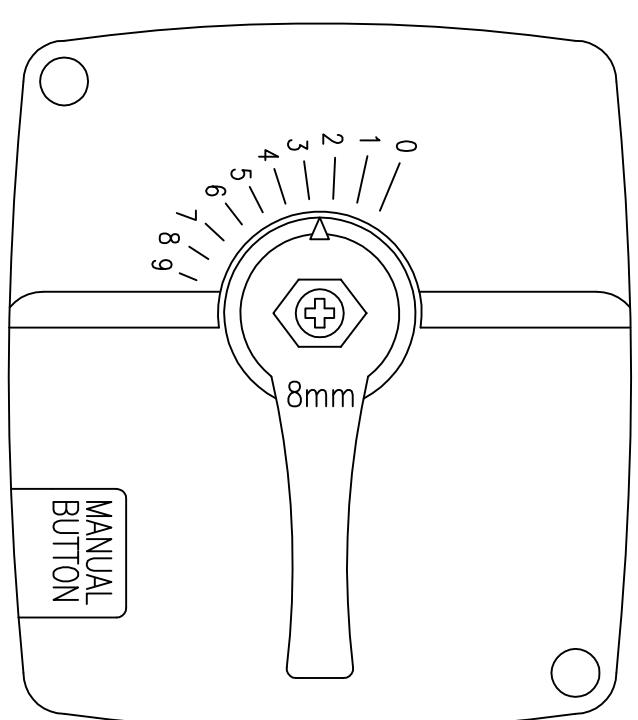


PRODUCT DIMENSIONS

NPT SIZE	A in [mm]	B in [mm]	C in [mm]	D in [mm]
1/2"			4-17/32 [115]	2-11/16 [68]
3/4"	3-5/8 [92]	3-1/32 [77]	4-23/32 [120]	3-15/64 [82]
1"			5-5/32 [131]	3-55/64 [98]
1-1/4"				4-1/8 [105]
1-1/2"	4-27/32 [123]	3-1/16 [78]		4-51/64 [122]
2"			5-5/16 [135]	



SHOWN  
1/2", 3/4" & 1" NPT

② = CRITICAL DIMENSION  
STANDARD TOLERANCES UNLESS NOTED:  
ALL DIMENSIONS ±  
ALL ANGLES ±

SCALE 1:1

NO.	DATE	NAME	BY/DATE	CHANGES
	9-23-11	SERIES HBAY	DWN BY	
		TWO-WAY DETACHABLE	HMA	
		ELECTRIC BALL VALVE	CHKD	
		ARTWORK	APFD	
		(FOR REFERENCE ONLY)		
		ACH2002		
		FR. NO. RB-700920-00		
		DWYER INSTRUMENTS, INC.		
		MICHIGAN CITY, INDIANA 46360 U.S.A.		

NOTICE: This drawing and the production and demand of design embodied therein are the property of DWYER INSTRUMENTS, INC. and are not to be used for any other purpose without the written consent of said corporation.