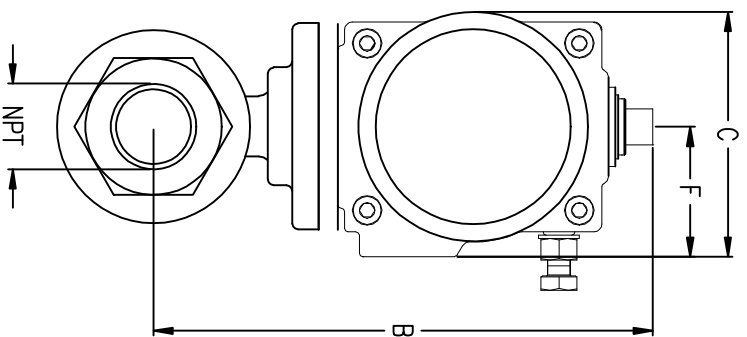
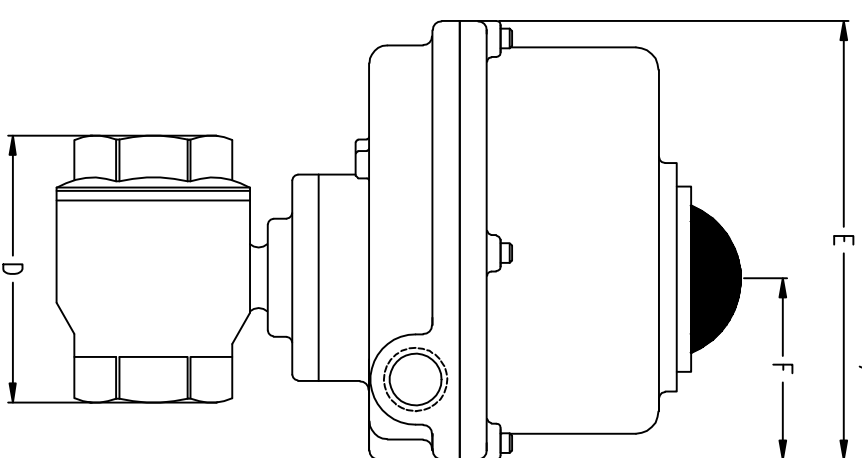


W/ PNEUMATIC ACTUATOR

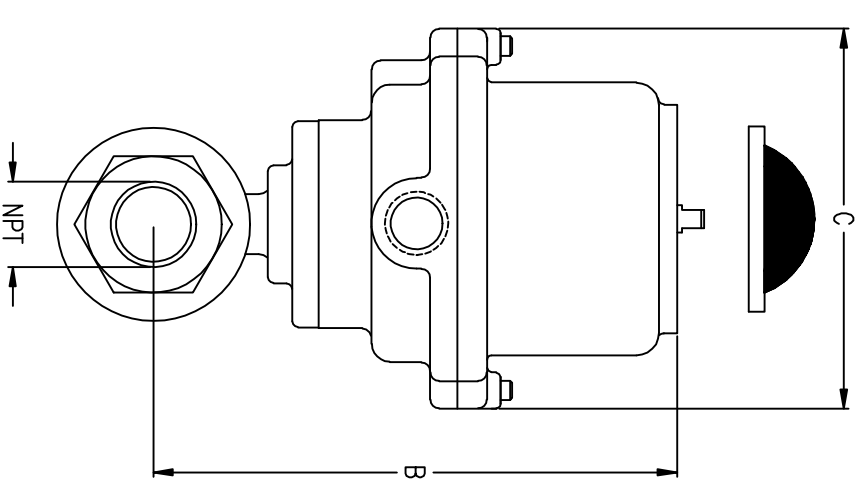


DOUBLE ACTING PNEUMATIC ACTUATOR

SPRING RETURN PNEUMATIC ACTUATOR



W/ EXPLOSION-PROOF ELECTRIC ACTUATOR



EXPLOSION-PROOF ELECTRIC ACTUATOR

NPT	1/2"	3/4"	1"	1 1/4"	1 1/2"	2"	2 1/2"	3"
B	4-5/8" 116.4mm	4-3/4" 119.2mm	5-1/2" 140.7mm	5-3/4" 146.2mm	6-7/8" 173.7mm	7-1/4" 183.5mm	8-3/8" 211.5mm	9" 228.8mm
C	2-3/8" 60.5mm	2-3/8" 60.5mm	2-3/4" 71mm	2-3/4" 71mm	3-1/4" 82mm	3-1/4" 82mm	3-3/4" 94mm	4" 101mm
D	2-1/4" 58mm	2-5/8" 65.6mm	3-1/8" 78.7mm	3-1/2" 90mm	4-1/8" 105mm	4-7/8" 124mm	5-3/4" 146.2mm	6-1/2" 163.7mm
E	4-5/8" 116mm	4-5/8" 116mm	5-3/4" 145mm	5-3/4" 145mm	6-5/8" 169mm	6-5/8" 169mm	7-7/8" 201mm	8-1/4" 209mm
F	1-3/8" 36.5mm	1-3/8" 36.5mm	1-5/8" 41mm	1-5/8" 41mm	1-3/4" 46mm	1-3/4" 46mm	2" 52mm	2-1/8" 55mm

NPT	1/2"	3/4"	1"	1 1/4"	1 1/2"	2"	2 1/2"	3"
B	5-1/8" 128.4mm	5-1/8" 131.2mm	6-1/4" 158.7mm	6-3/8" 162.2mm	7-1/4" 185.7mm	8" 203.5mm	9-5/8" 244.5mm	10" 253.8mm
C	2-3/4" 71mm	2-3/4" 71mm	3-1/4" 82mm	3-1/4" 82mm	3-3/4" 94mm	4" 101mm	4-3/4" 122mm	4-3/4" 122mm
D	2-1/4" 58mm	2-5/8" 65.6mm	3-1/8" 78.7mm	3-1/2" 90mm	4-1/8" 105mm	4-7/8" 124mm	5-3/4" 146.2mm	6-1/2" 163.7mm
E	5-3/4" 145mm	5-3/4" 145mm	6-5/8" 169mm	6-5/8" 169mm	7-7/8" 201mm	8-1/4" 209mm	10-7/8" 275mm	10-7/8" 275mm
F	1-5/8" 41mm	1-5/8" 41mm	1-3/4" 46mm	1-3/4" 46mm	2" 52mm	2-1/8" 55mm	2-1/2" 64mm	2-1/2" 64mm

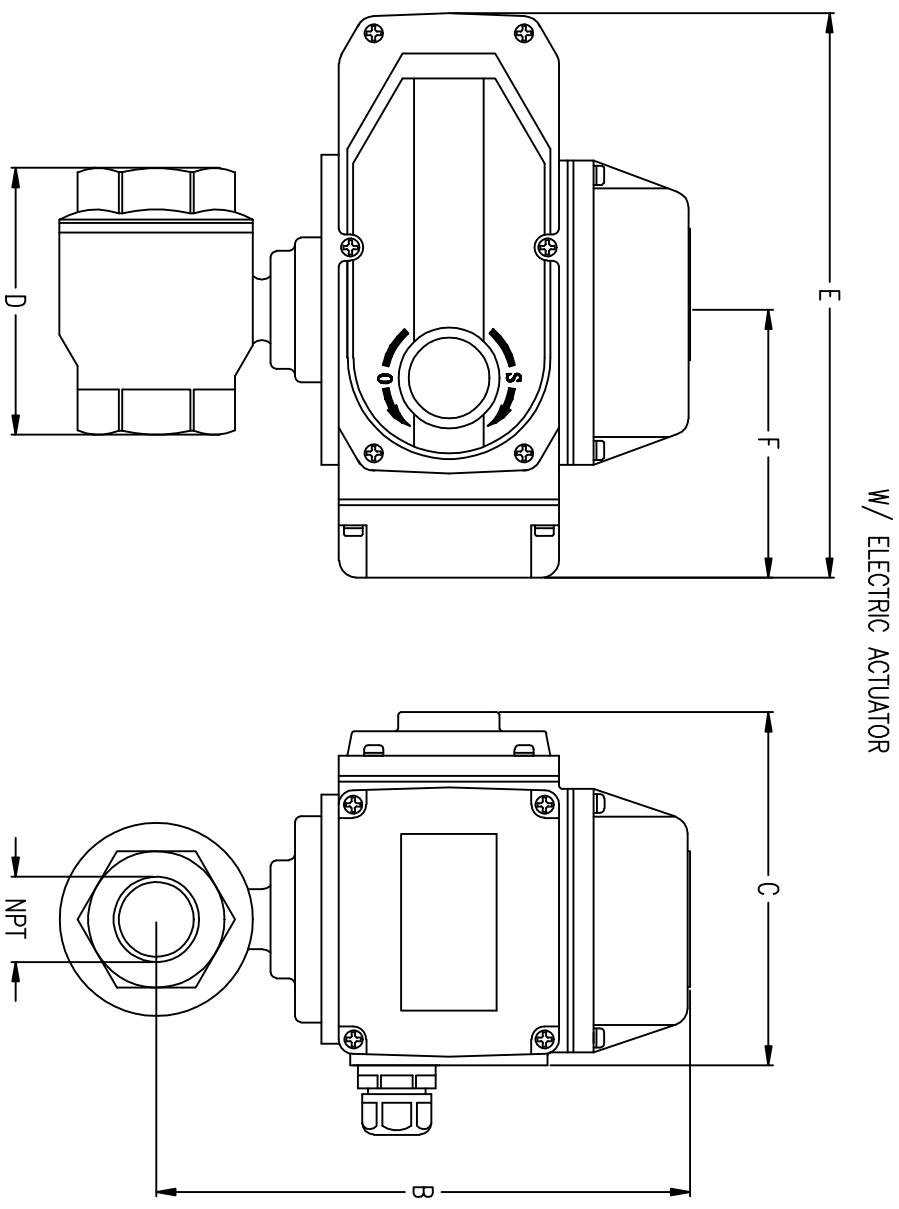
NPT	1/2"	3/4"	1"	1 1/4"	1 1/2"	2"	2 1/2"	3"
B	6-3/8" 162mm	6-1/2" 165mm	8-1/4" 211mm	8-1/2" 216.5mm	8-5/8" 219mm	10" 255.6mm	10-3/4" 271.6mm	11" 280.8mm
C	5-1/4" 133.4mm	5-1/4" 133.4mm	9-3/8" 238.9mm	9-3/8" 238.9mm	9-3/8" 238.9mm	8-1/2" 216mm	8-1/2" 216mm	8-1/2" 216mm
D	2-1/4" 58mm	2-5/8" 65.6mm	3-1/8" 78.7mm	3-1/2" 90mm	4-1/8" 105mm	4-7/8" 124mm	5-3/4" 146.2mm	6-1/2" 163.7mm
E	6" 154mm	6" 154mm	8-1/2" 216.7mm	8-1/2" 216.7mm	8-1/2" 216.7mm	8-1/2" 216mm	8-1/2" 216mm	8-1/2" 216mm
F	2-3/4" 68.3mm	2-3/4" 68.3mm	5" 125.8mm	5" 125.8mm	5" 125.8mm	5" 136.4mm	5-3/8" 136.4mm	5-3/8" 136.4mm

Ⓢ = CRITICAL DIMENSION
 STANDARD TOLERANCES UNLESS NOTED:
 ALL DECIMAL DIMENSIONS ± .005
 ALL ANGLES ± 1°

NO.	CHANGES	BY/DATE	DATE	NAME	MATERIAL
			DWN BY	WE01 BALL VALVE W/ ACTUATORS (FOR REFERENCE ONLY)	FINISH
			CHKD		
			APPD		
				ACA02002	
				3	FR. NO.

NOTICE: This drawing and the principles and elements of design embodied therein are the exclusive property of DWYER INSTRUMENTS, INC. and are not to be communicated, disclosed, reproduced or used except as previously authorized in writing by such corporation and must not be submitted to outside parties for examination without the written consent of said corporation.

DWYER INSTRUMENTS, INC.
 MICHIGAN CITY, INDIANA 46360 U.S.A.



ELECTRIC ACTUATOR

NPT	1/2"	3/4"	1"	1 1/4"	1 1/2"	2"	2 1/2"	3"
B	5-1/2" 138.9mm	5-5/8" 141.7mm	6" 151.2mm	6-1/8" 156.7mm	6-5/8" 168.2mm	7" 178mm	8-5/8" 217.5mm	9" 226.8mm
C	4-1/2" 113mm	4-1/2" 113mm	4-1/2" 113mm	4-1/2" 113mm	4-1/2" 113mm	4-1/2" 113mm	4-3/4" 121mm	4-3/4" 121mm
D	2-1/4" 58mm	2-5/8" 65.6mm	3-1/8" 78.7mm	3-1/2" 90mm	4-1/8" 105mm	4-7/8" 124mm	5-3/4" 146.2mm	6-1/2" 163.7mm
E	6-1/4" 160mm	6-1/4" 160mm	6-1/4" 160mm	6-1/4" 160mm	6-1/4" 160mm	6-1/4" 160mm	7-3/4" 196mm	7-3/4" 196mm
F	3" 77mm	3" 77mm	3" 77mm	3" 77mm	3" 77mm	3" 77mm	3-7/8" 98mm	3-7/8" 98mm

Ⓢ = CRITICAL DIMENSION
 STANDARD TOLERANCES UNLESS NOTED:
 ALL DECIMAL DIMENSIONS ± .005
 ALL ANGLES ± 1°

DATE _____ NAME _____ MATERIAL _____

DWN BY _____ FINISH _____

CHKD _____

APPD _____

WE01 BALL VALVE
 W/ ACTUATORS
 (FOR REFERENCE ONLY)

ACAD2002

FR. NO. _____

DWYER INSTRUMENTS, INC.
 MICHIGAN CITY, INDIANA 46360 U.S.A.

NOTICE: This drawing and the principles and elements of design embodied therein are the exclusive property of DWYER INSTRUMENTS, INC. and are not to be communicated, disclosed, reproduced or used except as previously authorized in writing by such corporation and must not be submitted to outside parties for examination without the written consent of said corporation.