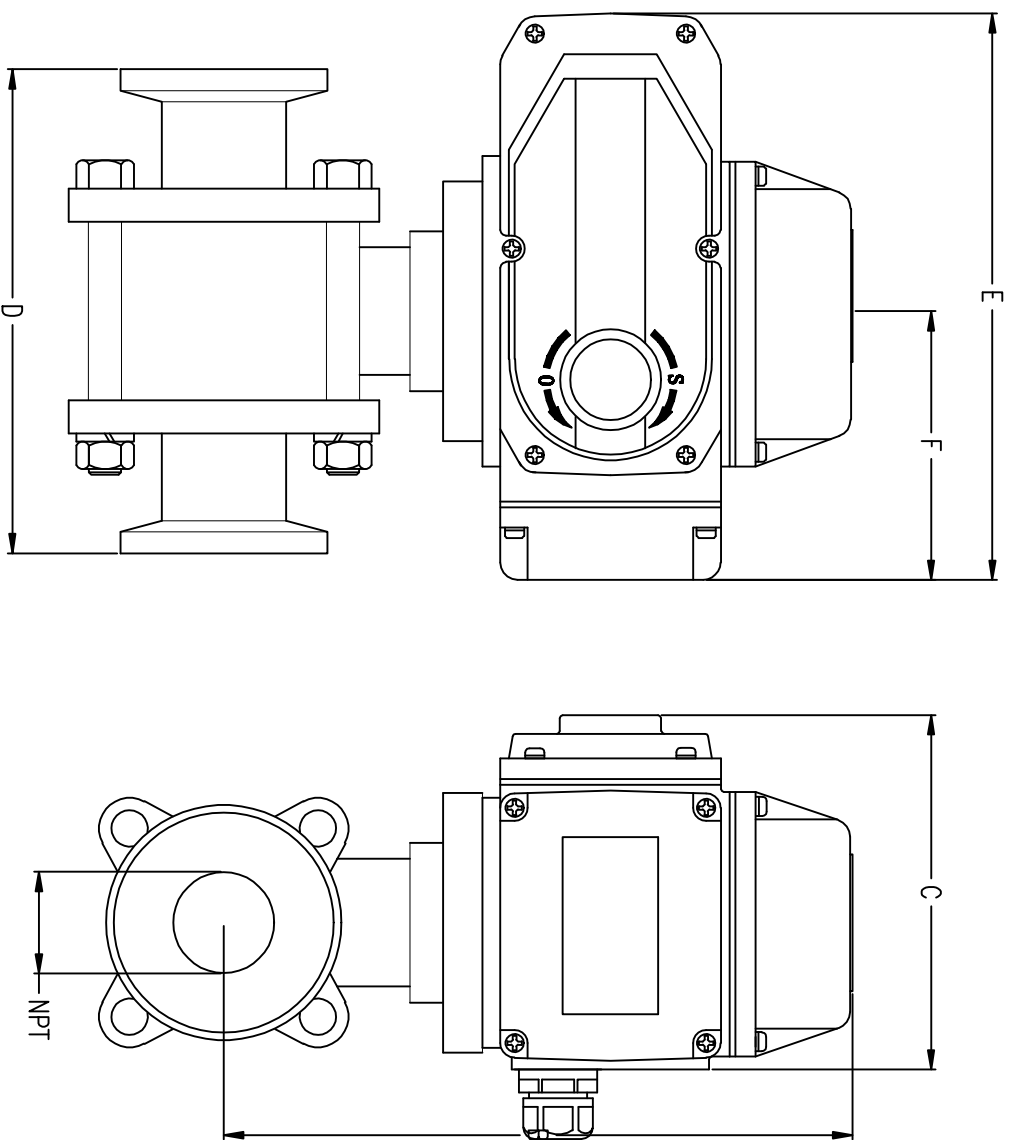


W/ ELECTRIC ACTUATOR



ELECTRIC ACTUATOR

NPT	1/2"	3/4"	1"	1 1/2"	2"
B	5-3/8" 136.5mm	5-3/8" 137.8mm	5-7/8" 149.5mm	6-1/2" 166mm	6-7/8" 174.5mm
C	4-1/2" 113mm	4-1/2" 113mm	4-1/2" 113mm	4-1/2" 113mm	4-1/2" 113mm
D	3-5/8" 90.7mm	4" 103mm	4-1/2" 115mm	5-1/2" 139mm	6-1/4" 158mm
E	6-1/4" 160mm	6-1/4" 160mm	6-1/4" 160mm	6-1/4" 160mm	6-1/4" 160mm
F	3" 77mm	3" 77mm	3" 77mm	3" 77mm	3" 77mm

Ⓢ = CRITICAL DIMENSION
 STANDARD TOLERANCES UNLESS NOTED:
 ALL DECIMAL DIMENSIONS ± .005
 ALL ANGLES ± 1°

MATERIAL

FINISH

DWYER INSTRUMENTS, INC.
 MICHIGAN CITY, INDIANA 46360 U.S.A.

FR. NO.

WE03 BALL VALVE
 W/ ACTUATORS
 (FOR REFERENCE ONLY)

DATE	NAME
DWN BY	
CHKD	
APPD	

ACAD2002

3

NOTICE: This drawing and the principles and elements of design embodied therein are the exclusive property of DWYER INSTRUMENTS, INC. and are not to be communicated, disclosed, reproduced or used except as previously authorized in writing by such corporation and must not be submitted to outside parties for examination without the written consent of said corporation.