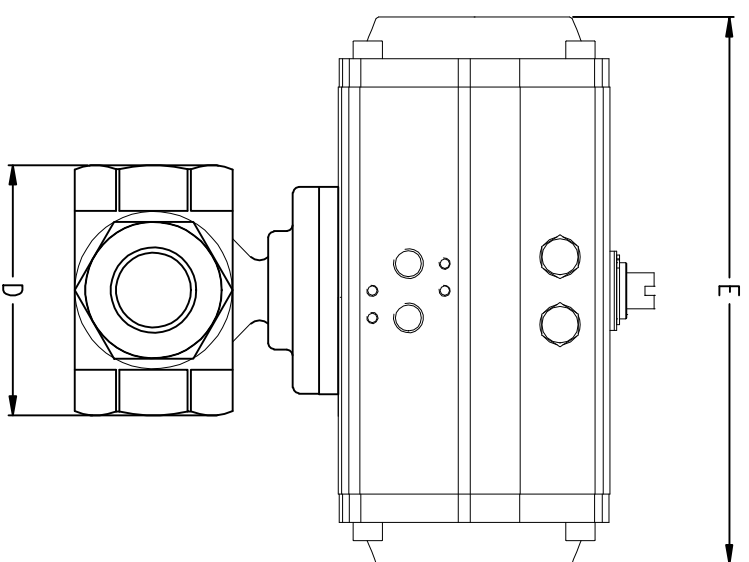


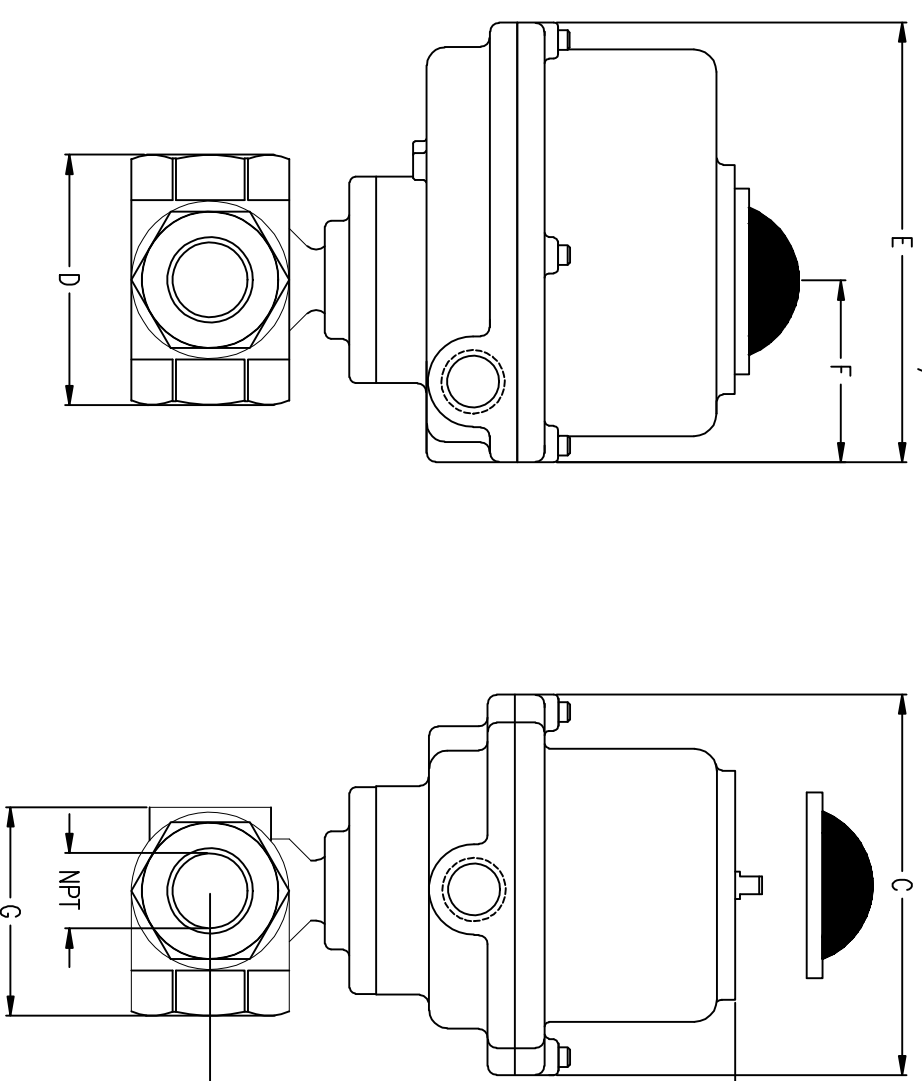
W/ PNEUMATIC ACTUATOR



DOUBLE ACTING PNEUMATIC ACTUATOR

NPT	1/2"	3/4"	1"	1 1/4"	1 1/2"	2"
B	5-1/4" 133mm	5-3/8" 136mm	6-3/8" 161.5mm	6-5/8" 167mm	7-3/4" 196mm	8" 204mm
C	2-3/4" 71mm	2-3/4" 71mm	3-1/4" 82mm	3-1/4" 82mm	3-3/4" 94mm	3-3/4" 94mm
D	3" 76mm	3-3/8" 86mm	4" 99mm	4-5/8" 117mm	4-7/8" 124mm	5-7/8" 148mm
E	5-3/4" 145mm	5-3/4" 145mm	6-5/8" 169mm	6-5/8" 169mm	7-7/8" 201mm	7-7/8" 201mm
F	1-5/8" 41mm	1-5/8" 41mm	1-3/4" 46mm	1-3/4" 46mm	2" 52mm	2" 52mm
G	2-3/8" 58.5mm	2-7/8" 72mm	3-1/4" 81.5mm	3-3/4" 94.5mm	4-1/8" 104mm	5" 125mm

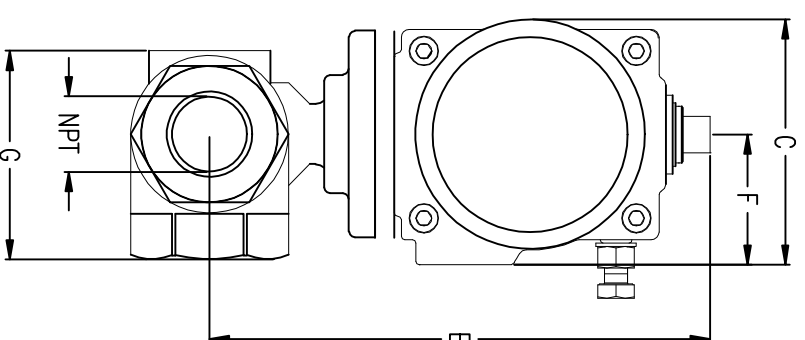
W/ EXPLOSION-PROOF ELECTRIC ACTUATOR



EXPLOSION-PROOF ELECTRIC ACTUATOR

NPT	1/2"	3/4"	1"	1 1/4"	1 1/2"	2"
B	8" 203.3mm	8-1/8" 206.3mm	8-1/2" 215.8mm	9-3/8" 239.1mm	10-1/8" 256.1mm	10-3/8" 264.1mm
C	9-3/8" 238.9mm	9-3/8" 238.9mm	9-3/8" 238.9mm	8-1/2" 216mm	8-1/2" 216mm	8-1/2" 216mm
D	3" 76mm	3-3/8" 86mm	4" 99mm	4-5/8" 117mm	4-7/8" 124mm	5-7/8" 148mm
E	8-1/2" 216.7mm	8-1/2" 216.7mm	8-1/2" 216.7mm	8-1/2" 216mm	8-1/2" 216mm	8-1/2" 216mm
F	5" 125.8mm	5" 125.8mm	5" 125.8mm	5-3/8" 136.4mm	5-3/8" 136.4mm	5-3/8" 136.4mm
G	2-3/8" 58.5mm	2-7/8" 72mm	3-1/4" 81.5mm	3-3/4" 94.5mm	4-1/8" 104mm	5" 125mm

SPRING RETURN PNEUMATIC ACTUATOR



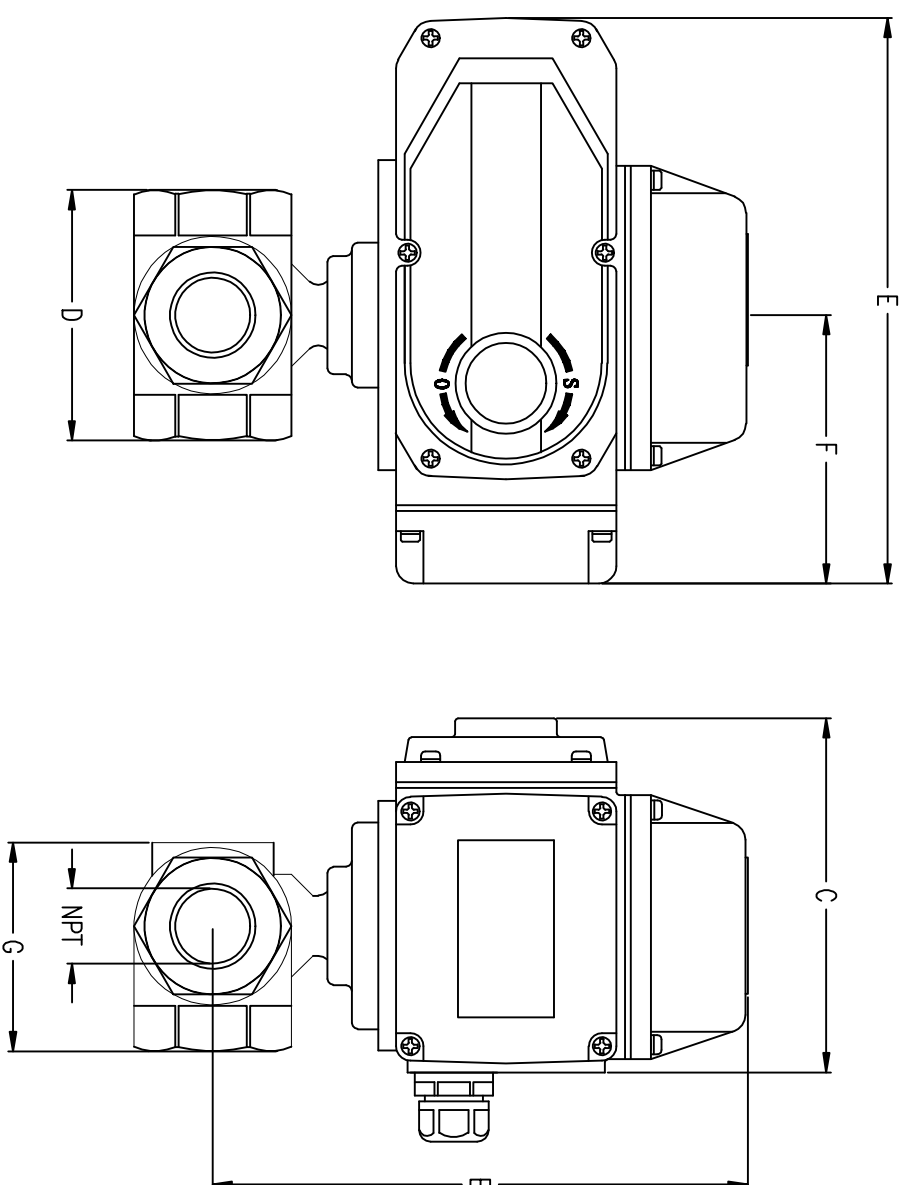
NPT	1/2"	3/4"	1"	1 1/4"	1 1/2"	2"
B	5-1/4" 133mm	5-3/8" 136mm	6-7/8" 173.5mm	7-3/8" 187mm	8" 204mm	9-3/8" 239mm
C	2-3/4" 71mm	2-3/4" 71mm	3-1/4" 82mm	4" 101mm	4" 101mm	4-7/8" 122mm
D	3" 76mm	3-3/8" 86mm	4" 99mm	4-5/8" 117mm	4-7/8" 124mm	5-7/8" 148mm
E	5-3/4" 145mm	5-3/4" 145mm	7-7/8" 201mm	8-1/4" 209mm	8-1/4" 209mm	10-7/8" 275mm
F	1-5/8" 41mm	1-5/8" 41mm	2" 52mm	2-1/8" 55mm	2-1/8" 55mm	2-1/2" 64mm
G	2-3/8" 58.5mm	2-7/8" 72mm	3-1/4" 81.5mm	3-3/4" 94.5mm	4-1/8" 104mm	5" 125mm

Ⓢ = CRITICAL DIMENSION
 STANDARD TOLERANCES UNLESS NOTED:
 ALL DECIMAL DIMENSIONS ± .005
 ALL ANGLES ± 1°

NO.		DATE		NAME		MATERIAL	
		DWN BY		WE31 BALL VALVE W/ ACTUATORS (FOR REFERENCE ONLY)		FINISH	
		CHKD		APPD		Dwyer Instruments, Inc. MICHIGAN CITY, INDIANA 46360 U.S.A.	
CHANGES		BY/DATE		ACAD2002		FR. NO.	
				3			

NOTICE: This drawing and the principles and elements of design embodied therein are the exclusive property of DWYER INSTRUMENTS, INC. and are not to be communicated, disclosed, reproduced or used except as previously authorized in writing by such corporation and must not be submitted to outside parties for examination without the written consent of said corporation.

W/ ELECTRIC ACTUATOR



ELECTRIC ACTUATOR

NPT	1/2"	3/4"	1"	1 1/4"	1 1/2"	2"
B	5-5/8"	5-3/4"	6-1/8"	6-3/8"	8"	8-1/4"
	143.5mm	146.5mm	156mm	161.5mm	202mm	210mm
C	4-1/2"	4-1/2"	4-1/2"	4-1/2"	4-3/4"	4-3/4"
	113mm	113mm	113mm	113mm	121mm	121mm
D	3"	3-3/8"	4"	4-5/8"	4-7/8"	5-7/8"
	76mm	86mm	99mm	117mm	124mm	148mm
E	6-1/4"	6-1/4"	6-1/4"	6-1/4"	7-3/4"	7-3/4"
	160mm	160mm	160mm	160mm	196mm	196mm
F	3"	3"	3"	3"	3-7/8"	3-7/8"
	77mm	77mm	77mm	77mm	98mm	98mm
G	2-3/8"	2-7/8"	3-1/4"	3-3/4"	4-1/8"	5"
	58.5mm	72mm	81.5mm	94.5mm	104mm	125mm

Ⓢ = CRITICAL DIMENSION
 STANDARD TOLERANCES UNLESS NOTED:
 ALL DECIMAL DIMENSIONS ± .005
 ALL ANGLES ± 1°

DATE	NAME	MATERIAL
DWN BY	WE31 BALL VALVE W/ ACTUATORS (FOR REFERENCE ONLY)	FINISH
CHKD		
APPD		
ACAD2002		FR. NO.
3		DWYER INSTRUMENTS, INC. MICHIGAN CITY, INDIANA 46360 U.S.A.

NOTICE: This drawing and the principles and elements of design embodied therein are the exclusive property of DWYER INSTRUMENTS, INC. and are not to be communicated, disclosed, reproduced or used except as previously authorized in writing by such corporation and must not be submitted to outside parties for examination without the written consent of said corporation.