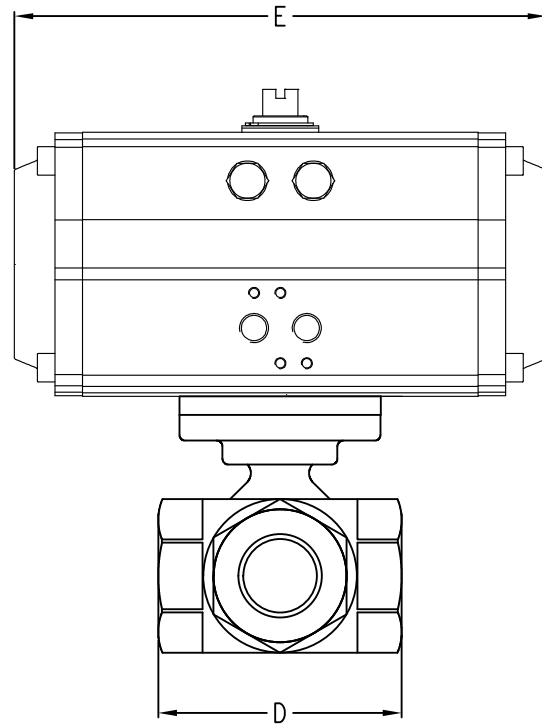


W/ PNEUMATIC ACTUATOR

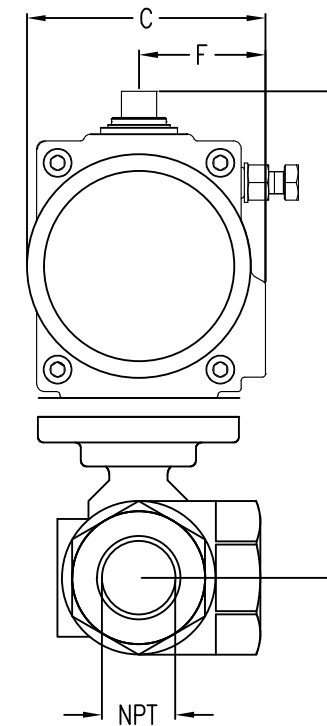


DOUBLE ACTING PNEUMATIC ACTUATOR

NPT	1/2"	3/4"	1"	1-1/4"	1-1/2"	2"
ACTUATOR	351939-01	351939-01	351939-01	351939-02	351939-02	351939-02
VALVE	354024-00/06	354024-01/07	354024-02/08	354024-03/09	354024-04/10	354024-05/11
B	4-3/8" [111.12mm]	4-1/2" [114.3mm]	4-5/8" [117.47mm]	5-5/8" [142.87mm]	5-3/4" [146.05mm]	6-7/64" [155.57mm]
C	2-3/8" [60.5mm]	2-3/8" [60.5mm]	2-3/8" [60.5mm]	3-1/4" [82.55mm]	3-1/4" [82.55mm]	3-1/4" [82.55mm]
D	2-15/16" [74.61mm]	2-13/16" [71.43mm]	3-1/4" [82.55mm]	3-9/16" [90.48mm]	4-1/16" [103mm]	4-3/4" [120.65mm]
E	5-3/4" [146.05mm]	5-3/4" [146.05mm]	5-3/4" [146.05mm]	6-11/16" [169.86mm]	6-11/16" [169.86mm]	6-11/16" [169.86mm]
F	1-5/8" [41mm]	1-5/8" [41mm]	1-5/8" [41mm]	1-13/16" [46mm]	1-13/16" [46mm]	1-13/16" [46mm]

SPRING RETURN PNEUMATIC ACTUATOR

NPT	1/2"	3/4"	1"	1-1/4"	1-1/2"	2"
ACTUATOR	351939-14	351939-14	351939-15	351939-15	351939-15	351939-16
VALVE	354024-00/06	354024-01/07	354024-02/08	354024-03/09	354024-04/10	354024-05/11
B	4-3/8" [111.12mm]	5-1/8" [130.17mm]	5-1/8" [130.17mm]	5-19/32" [142.87mm]	5-13/16" [147.63mm]	6-9/16" [166.68mm]
C	2-3/8" [60.5mm]	3-1/4" [82.55mm]	3-1/4" [82.55mm]	3-1/4" [82.55mm]	3-1/4" [82.55mm]	3-11/16" [93.66mm]
D	2-15/16" [74.61mm]	2-13/16" [71.43mm]	3-1/4" [82.55mm]	3-9/16" [90.48mm]	4-1/16" [103mm]	4-3/4" [120.65mm]
E	5-3/4" [146.05mm]	6-11/16" [169.86mm]	6-11/16" [169.86mm]	6-11/16" [169.86mm]	6-11/16" [169.86mm]	7-15/16" [201mm]
F	1-5/8" [41mm]	1-13/16" [46mm]	1-13/16" [46mm]	1-13/16" [46mm]	1-13/16" [46mm]	2-1/16" [52.38mm]

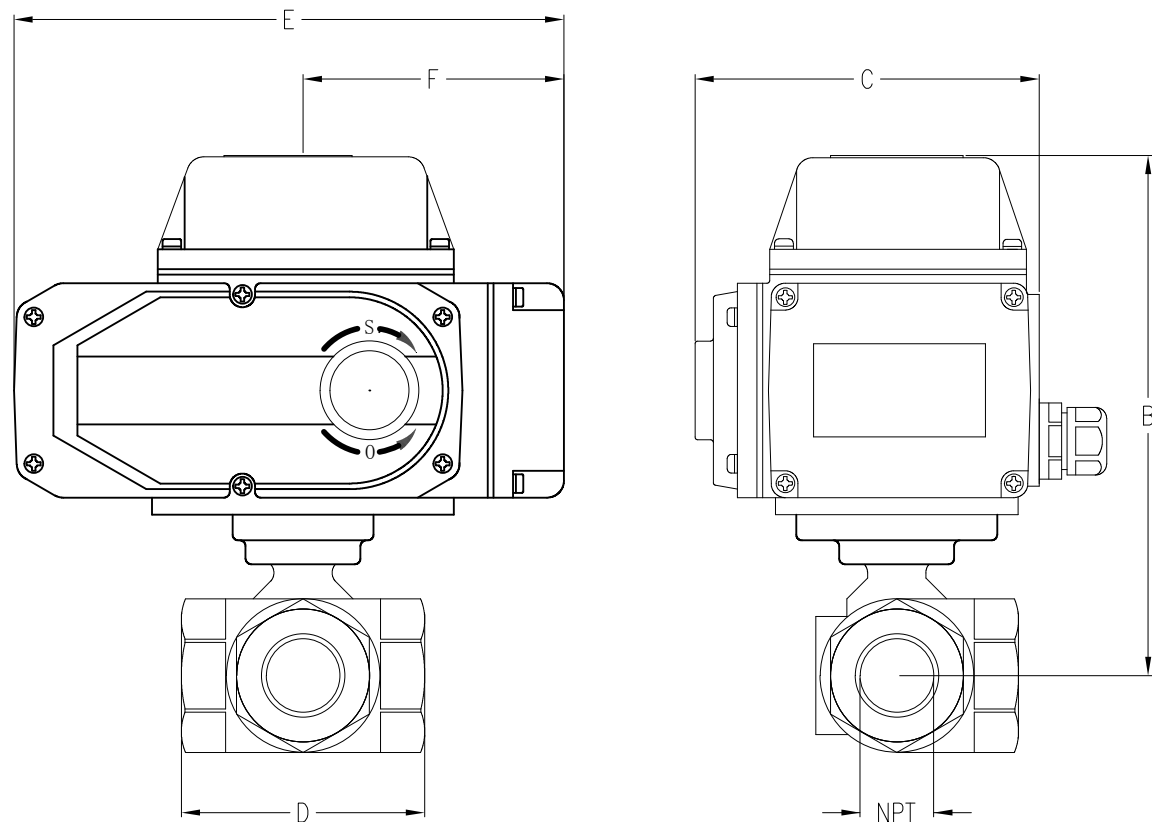


Ⓢ = CRITICAL DIMENSION
STANDARD TOLERANCES UNLESS NOTED:
ALL DECIMAL DIMENSIONS ± .005
ALL ANGLES ± 1°

		DATE 06-20-16	NAME ARTWORK WE35 BALL VALVE W/ ACTUATORS (FOR REFERENCE ONLY) SHEET 1 OF 2	MATERIAL
		DWN BY DGH		FINISH
		CHKD		DWYER INSTRUMENTS, INC. MICHIGAN CITY, INDIANA 46360 U.S.A.
		APPD		FR. NO. 701247-10
NO.	CHANGES	BY/DATE	ACAD2002	3

NOTICE: This drawing and the principles and elements of design embodied therein are the exclusive property of DWYER INSTRUMENTS, INC. and are not to be communicated, disclosed, reproduced or used except as previously authorized in writing by such corporation and must not be submitted to outside parties for examination without the written consent of said corporation.

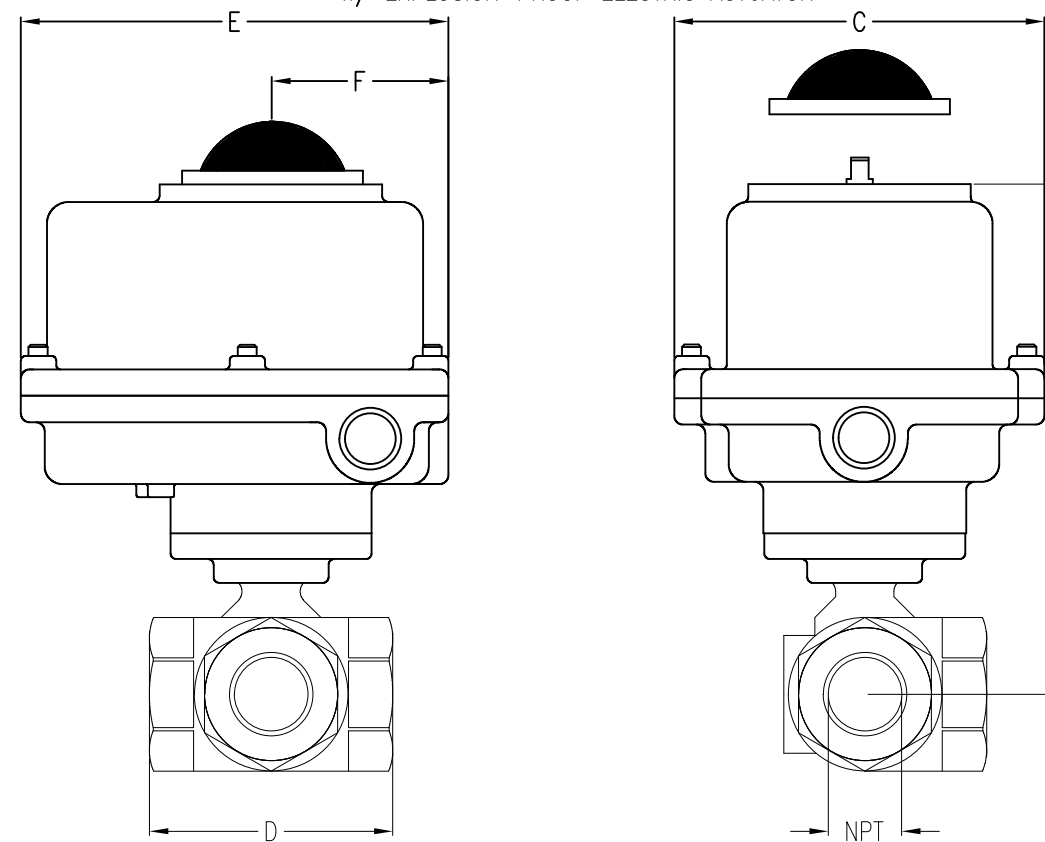
W/ ELECTRIC ACTUATOR



EXPLOSION-PROOF ELECTRIC ACTUATOR

NPT	1/2"	3/4"	1"	1-1/4"	1-1/2"	2"
ACTUATOR	351941-00/10/20/30/40/50/60/70/80/90	351941-00/10/20/30/40/50/60/70/80/90	351941-01/11/21/31/41/51/61/71/81/91	351941-01/11/21/31/41/51/61/71/81/91	351941-01/11/21/31/41/51/61/71/81/91	351941-02/12/22/32/42/52/62/72/82/92
VALVE	354024-00/06	354024-01/07	354024-02/08	354024-03/09	354024-04/10	354024-05/11
B	6-1/2" [165.1mm]	6-5/8" [168.27mm]	8-1/8" [206.37mm]	8-1/2" [215.9mm]	8-11/16" [220.66mm]	9-1/64" [228.99mm]
C	5-1/4" [133.35mm]	5-1/4" [133.35mm]	9-3/8" [238.91mm]	9-3/8" [238.91mm]	9-3/8" [238.91mm]	9-3/8" [238.91mm]
D	2-15/16" [74.61mm]	2-13/16" [71.43mm]	3-1/4" [82.55mm]	3-9/16" [90.48mm]	4-1/16" [103mm]	4-3/4" [120.65mm]
E	6-1/8" [153.99mm]	6-1/8" [153.99mm]	8-1/2" [216.69mm]	8-1/2" [216.69mm]	8-1/2" [216.69mm]	8-1/2" [216.69mm]
F	2-1/2" [63.34mm]	2-1/2" [63.34mm]	4-1/4" [108.34mm]	4-1/4" [108.34mm]	4-1/4" [108.34mm]	4-1/4" [108.34mm]

W/ EXPLOSION-PROOF ELECTRIC ACTUATOR



ELECTRIC ACTUATOR

NPT	1/2"	3/4"	1"	1-1/4"	1-1/2"	2"
ACTUATOR	351940-00/09/18/27/33/42/51/61	351940-00/09/18/27/33/42/51/61	351940-00/09/18/27/33/42/51/61	351940-00/09/18/27/33/42/51/61	351940-00/09/18/27/33/42/51/61	351940-01/10/19/28/33/43/52/62
VALVE	354024-00/06	354024-01/07	354024-02/08	354024-03/09	354024-04/10	354024-05/11
B	5-1/2" [139.7mm]	5-9/16" [141.28mm]	5-9/16" [141.28mm]	6-3/16" [157.16mm]	6-3/8" [161.92mm]	6-11/16" [169.86mm]
C	4-7/16" [113mm]	4-7/16" [113mm]	4-7/16" [113mm]	4-7/16" [113mm]	4-7/16" [113mm]	4-7/16" [113mm]
D	2-15/16" [74.61mm]	2-13/16" [71.43mm]	3-1/4" [82.55mm]	3-9/16" [90.48mm]	4-1/16" [103mm]	4-3/4" [120.65mm]
E	6-5/16" [160.33mm]	6-5/16" [160.33mm]	6-5/16" [160.33mm]	6-5/16" [160.33mm]	6-5/16" [160.33mm]	6-5/16" [160.33mm]
F	4-3/16" [106.36mm]	4-3/16" [106.36mm]	4-3/16" [106.36mm]	4-3/16" [106.36mm]	4-3/16" [106.36mm]	4-3/16" [106.36mm]

Ⓢ = CRITICAL DIMENSION
 STANDARD TOLERANCES UNLESS NOTED:
 ALL DECIMAL DIMENSIONS ± .005
 ALL ANGLES ± 1°

DATE 06-20-16	NAME ARTWORK WE35 BALL VALVE W/ ACTUATORS (FOR REFERENCE ONLY) SHEET 2 OF 2	MATERIAL
DWN BY DGH		FINISH
CHKD		DWYER INSTRUMENTS, INC. MICHIGAN CITY, INDIANA 46360 U.S.A.
APPD	ACAD2002	FR. NO. 701247-10

NOTICE: This drawing and the principles and elements of design embodied therein are the exclusive property of DWYER INSTRUMENTS, INC. and are not to be communicated, disclosed, reproduced or used except as previously authorized in writing by such corporation and must not be submitted to outside parties for examination without the written consent of said corporation.