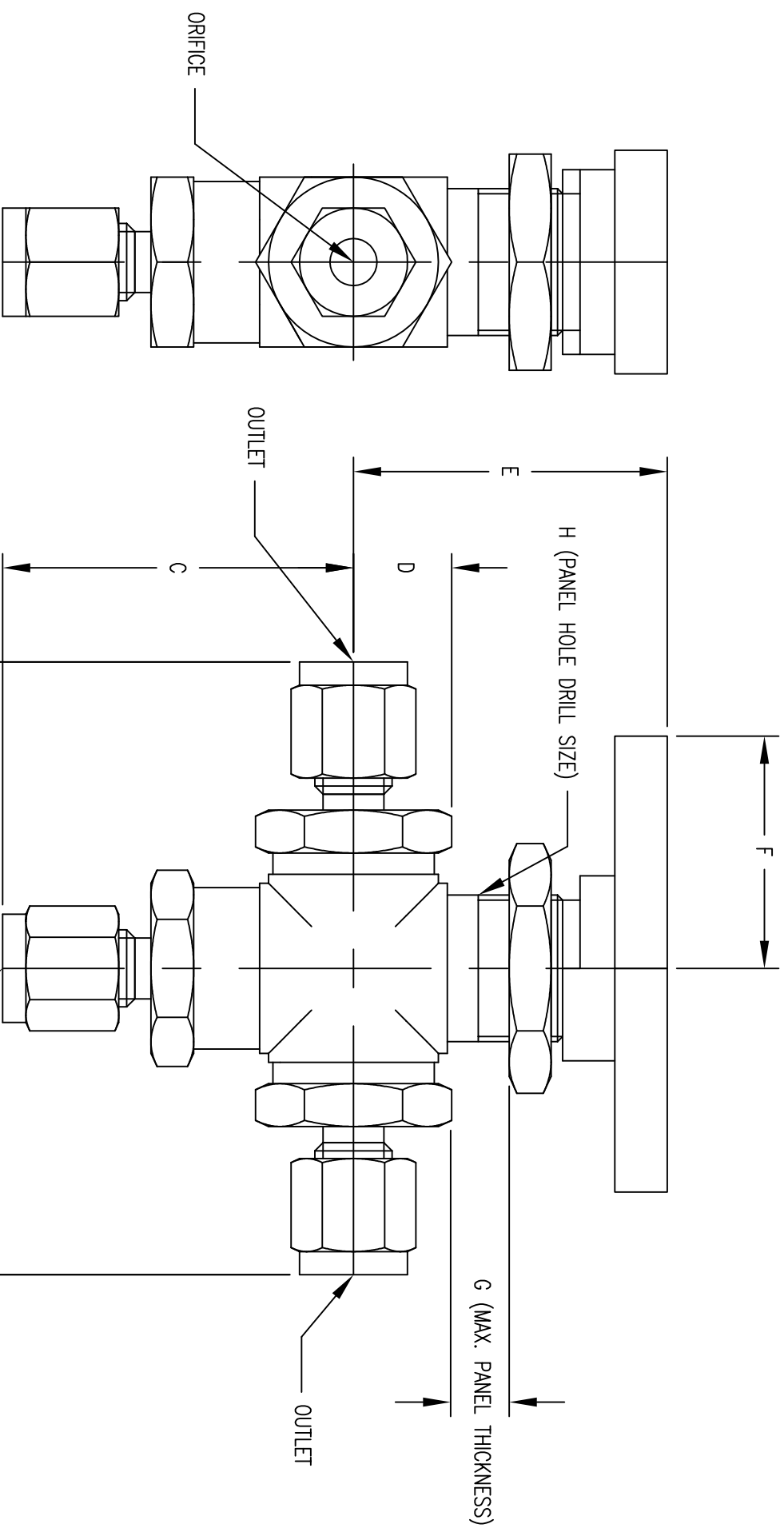


DIMENSIONS (IN/[MM])

MODEL NUMBER	END CONNECTION TYPE	INLET SIZE	OUTLET SIZE	ORIFICE	A	B1	B2	C	D	E	F	G	H
3MSV-XD110	FRACTIONAL TUBE FITTING	1/8	1/8	.093[2.36]	2.49[63.25]	1.24[31.50]	1.24[31.50]	1.42[36.07]	.38[9.65]	1.27[32.26]	.94[23.88]	.25[6.35]	.59[15.08]
3MSV-XD220	FRACTIONAL TUBE FITTING	1/4	1/4	.125[3.18]	2.68[68.07]	1.34[34.04]	1.34[34.04]	1.52[38.61]	.38[9.65]	1.27[32.26]	.94[23.88]	.25[6.35]	.59[15.08]
3MSV-XD230	FRACTIONAL TUBE FITTING	1/4	1/4	.187[4.75]	3.26[82.80]	1.63[41.40]	1.63[41.40]	1.82[46.23]	.44[11.18]	1.71[43.43]	1.06[26.92]	.25[6.35]	.78[19.84]
3MSV-XD340	FRACTIONAL TUBE FITTING	3/8	3/8	.250[6.35]	3.38[85.85]	1.69[42.93]	1.69[42.93]	1.88[47.75]	.44[11.18]	1.71[43.43]	1.06[26.92]	.25[6.35]	.78[19.84]
3MSV-XD440	FRACTIONAL TUBE FITTING	1/2	1/2	.250[6.35]	3.60[91.44]	1.80[45.72]	1.80[45.72]	1.99[50.55]	.44[11.18]	1.71[43.43]	1.06[26.92]	.25[6.35]	.78[19.84]
3MSV-XD450	FRACTIONAL TUBE FITTING	1/2	1/2	.437[11.10]	4.30[109.22]	2.15[54.61]	2.15[54.61]	2.54[64.52]	.75[19.05]	2.21[56.13]	1.51[38.35]	.25[6.35]	1.03[26.19]
3MSV-XD550	FRACTIONAL TUBE FITTING	3/4	3/4	.437[11.10]	4.30[109.22]	2.15[54.61]	2.15[54.61]	2.54[64.52]	.75[19.05]	2.21[56.13]	1.51[38.35]	.25[6.35]	1.03[26.19]
3MSV-XF120	FEMALE NPT	1/8	1/8	.125[3.18]	2.30[58.42]	1.15[29.21]	1.15[29.21]	1.33[33.78]	.38[9.65]	1.27[32.26]	.94[23.88]	.25[6.35]	.59[15.08]
3MSV-XF240	FEMALE NPT	1/4	1/4	.250[6.35]	3.16[80.26]	1.58[40.13]	1.58[40.13]	1.77[44.96]	.44[11.18]	1.71[43.43]	1.06[26.92]	.25[6.35]	.78[19.84]
3MSV-XF340	FEMALE NPT	3/8	3/8	.250[6.35]	4.03[102.36]	2.01[51.05]	2.01[51.05]	2.41[61.21]	.75[19.05]	2.21[56.13]	1.51[38.35]	.25[6.35]	1.03[26.19]
3MSV-XF450	FEMALE NPT	1/2	1/2	.437[11.10]	4.03[102.36]	2.01[51.05]	2.01[51.05]	2.41[61.21]	.75[19.05]	2.21[56.13]	1.51[38.35]	.25[6.35]	1.03[26.19]



Ⓢ = CRITICAL DIMENSION  
 STANDARD TOLERANCES UNLESS NOTED:  
 ALL DECIMAL DIMENSIONS ± .005  
 ALL ANGLES ± 1°

DATE		NAME	
DWN BY		3MSV SERIES 3-WAY VALVES	
CHKD			
APPD			
CHANGES		BY/DATE	
NO.		ACAD2002	3
MATERIAL		FR. NO.	
FINISH		Dwyer Instruments, Inc. Michigan City, Indiana 46360 U.S.A.	

NOTICE: This drawing and the principles and elements of design embodied therein are the exclusive property of DWYER INSTRUMENTS, INC. and are not to be communicated, disclosed, reproduced or used except as previously authorized in writing by such corporation and must not be submitted to outside parties for examination without the written consent of said corporation.