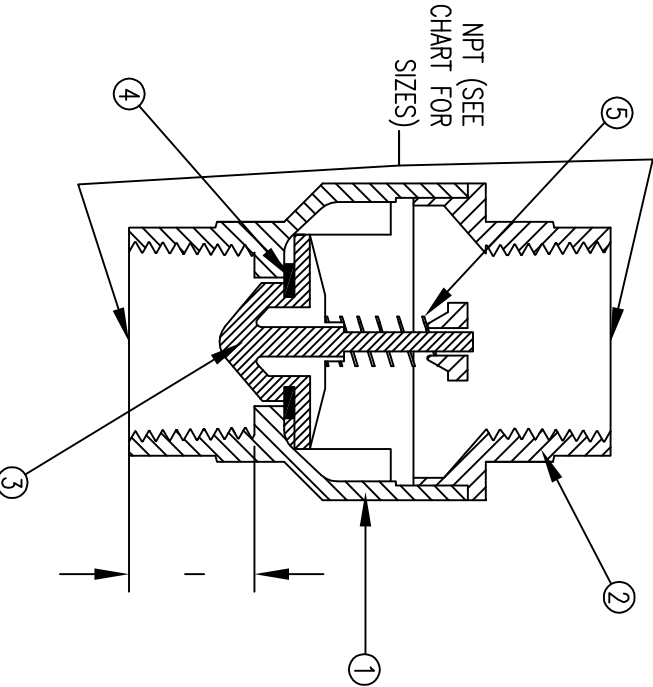
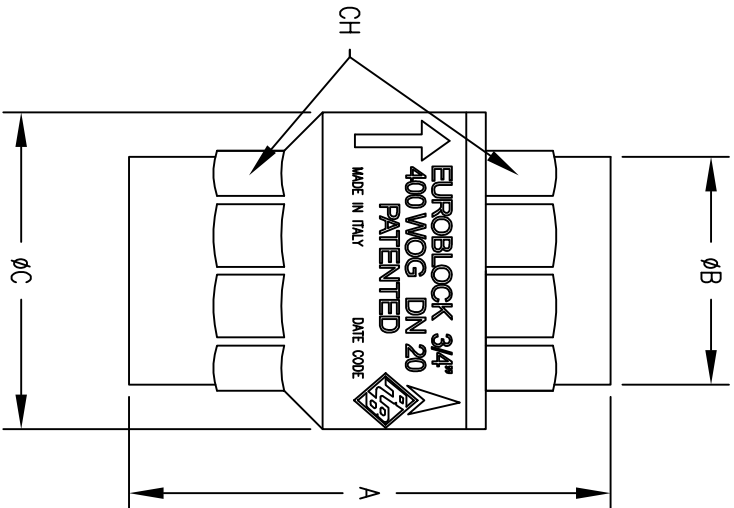


NO.	DESCRIPTION
1	BODY
2	END CONNECTION
3	OBSTRUCTER
4	SEAT
5	SPRING



SCALE 1:1

NPT SIZE	A	B	C	Ch	I
1/4"	IN 1-47/64	51/64	1-1/16	51/64	25/64
	MM 44	20	27	20	10
3/8"	IN 1-47/64	51/64	1-1/16	51/64	13/32
	MM 44	20	27	20	10.3
1/2"	IN 2-21/64	63/64	1-23/64	63/64	17/32
	MM 59	25	34.5	25	13.6
3/4"	IN 2-9/16	1-13/64	1-21/32	1-7/32	35/64
	MM 65	30.5	42	31	14
1"	IN 2-49/64	1-31/64	1-15/16	1-1/2	21/32
	MM 70	37.5	49	38	16.8
1-1/4"	IN 2-15/16	1-7/8	2-13/32	1-57/64	11/16
	MM 74.5	47.5	61	48	17.3
1-1/2"	IN 3-11/64	2-7/64	2-7/8	2-1/8	11/16
	MM 80.5	53.5	73	54	17.3
2"	IN 3-3/8	2-11/16	3-15/32	2-41/64	45/64
	MM 85.5	68	88	67	17.7
2-1/2"	IN 4-3/8	3-15/64	4-25/64	3-17/64	15/16
	MM 111	82	111.5	83	23.65
3"	IN 4-55/64	3-27/32	5-15/64	3-55/64	1-1/64
	MM 123.5	97.5	133	98	25.8
4"	IN 5-13/32	5	6-27/64	5-3/64	1-3/32
	MM 137.5	127	163	128	27.8

Ⓢ = CRITICAL DIMENSION
 STANDARD TOLERANCES UNLESS NOTED:
 ALL DECIMAL DIMENSIONS ± .005
 ALL ANGLES ± 1'

NO.		CHANGES		BY/DATE		APPD	
DATE		NAME		BICY SERIES INLINE CHECK VALVE			
DWN BY		CHKD		ACAD2002			
FR. NO.		MICHIGAN CITY, INDIANA 46360 U.S.A.		FR. NO.			
Dwyer Instruments, Inc.		MICHIGAN CITY, INDIANA 46360 U.S.A.		FR. NO.			

NOTICE: This drawing and the principles and elements of design embodied therein are the exclusive property of DWYER INSTRUMENTS, INC. and are not to be communicated, disclosed, reproduced or used except as previously authorized in writing by such corporation and must not be submitted to outside parties for examination without the written consent of said corporation.