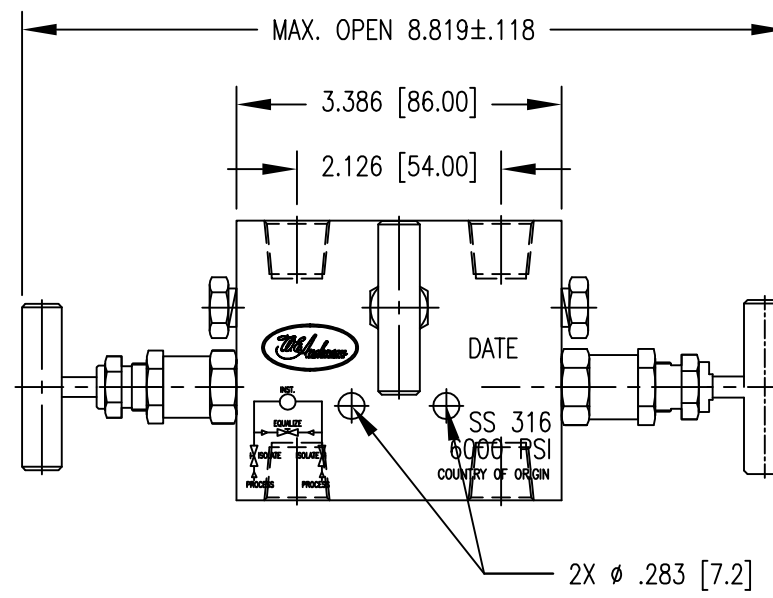
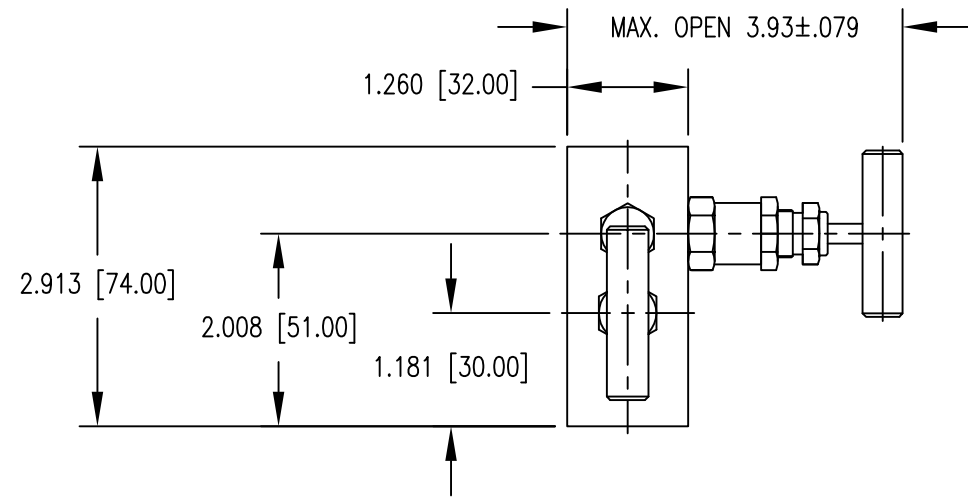
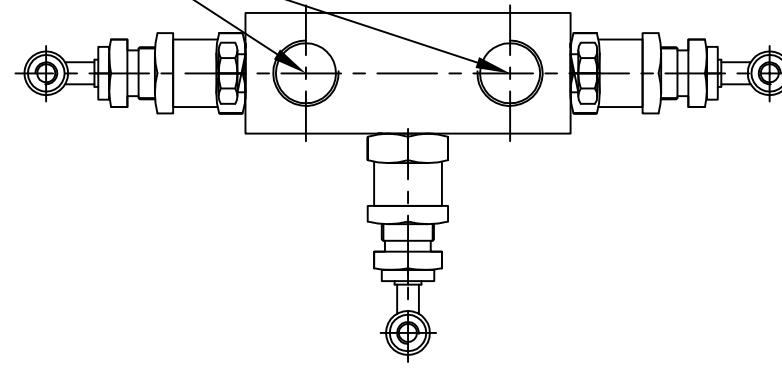
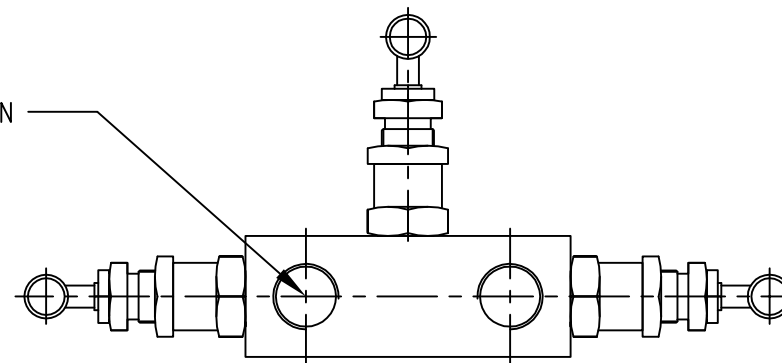


2X 1/2" NPT(F) INSTRUMENT CONNECTION



2X 1/2" NPT(F) PROCESS CONNECTION



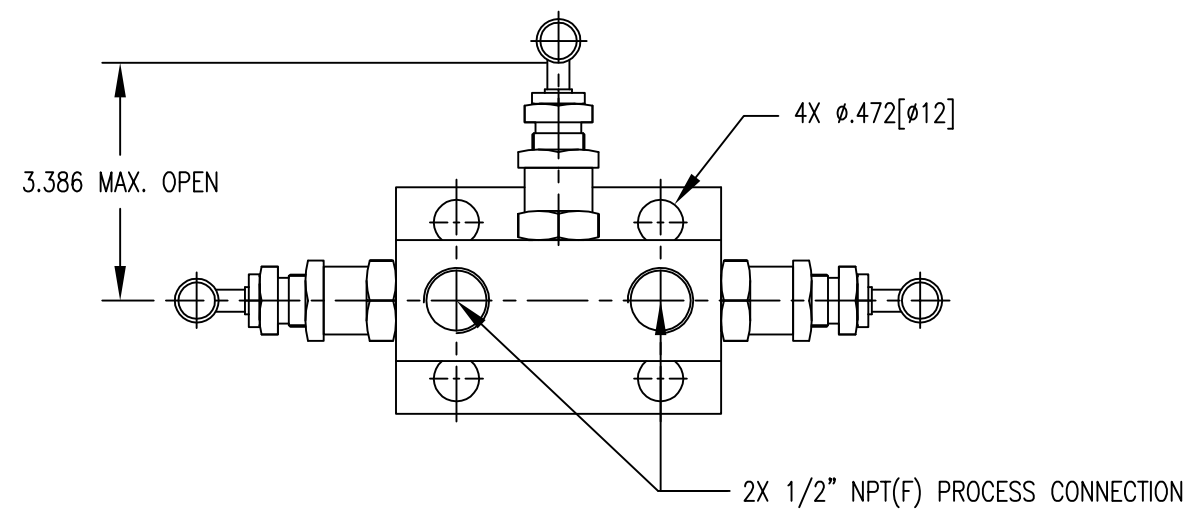
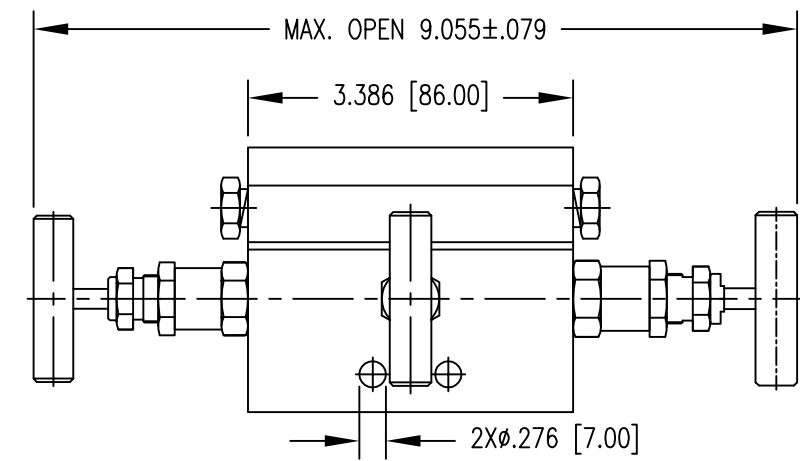
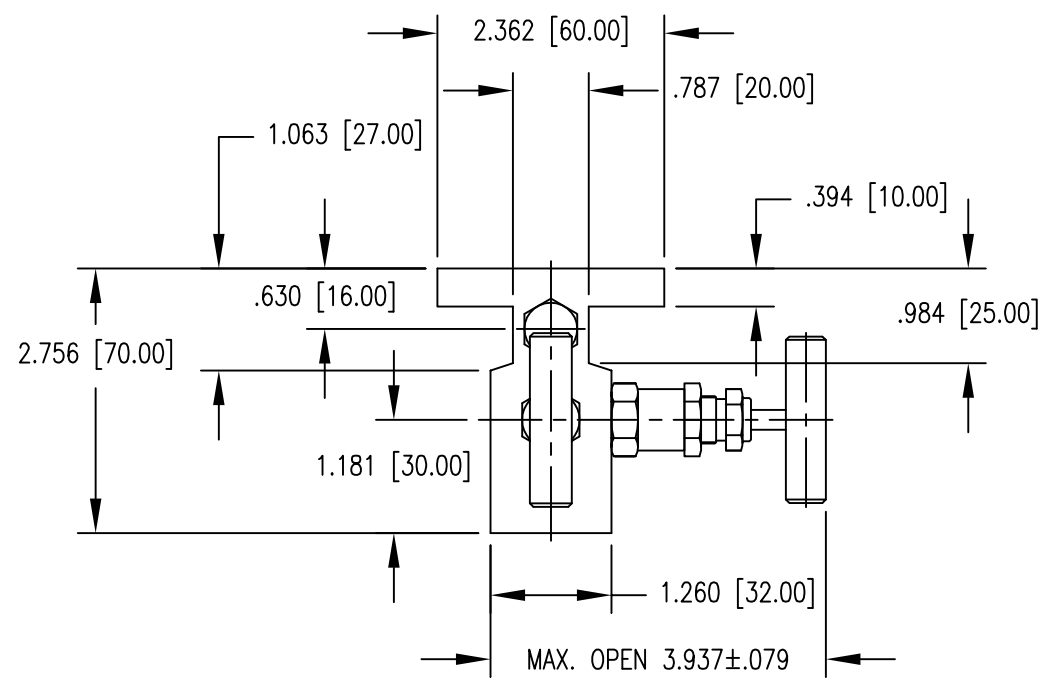
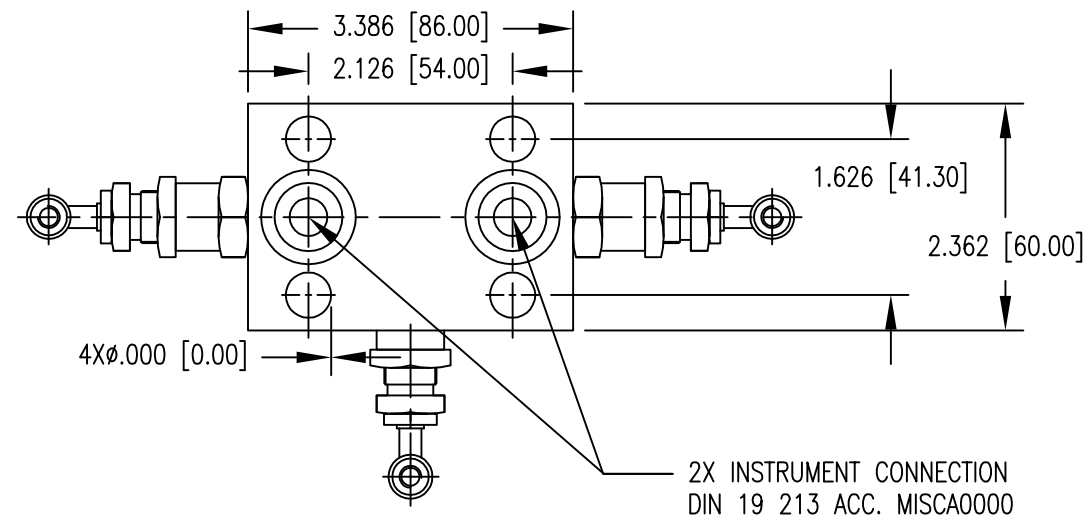
BBV-1

Ⓢ = CRITICAL DIMENSION
 STANDARD TOLERANCES UNLESS NOTED:
 ALL DECIMAL DIMENSIONS ± .005
 ALL ANGLES ± 1°

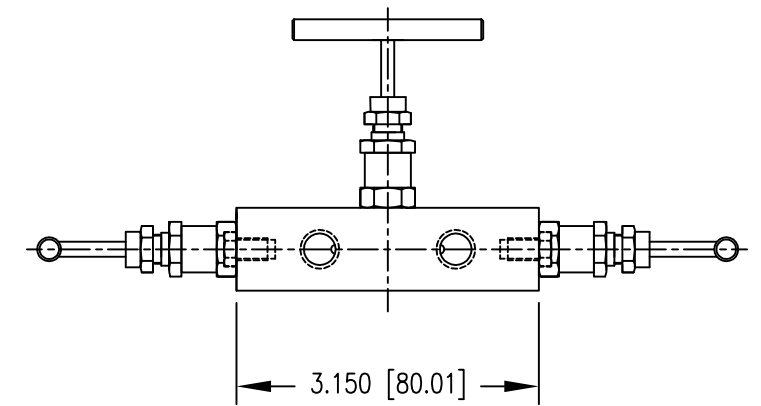
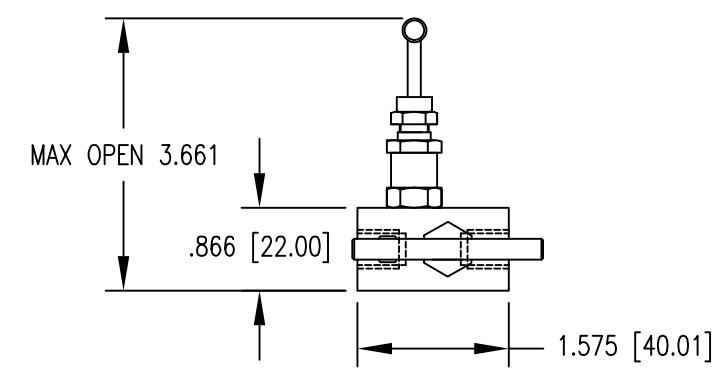
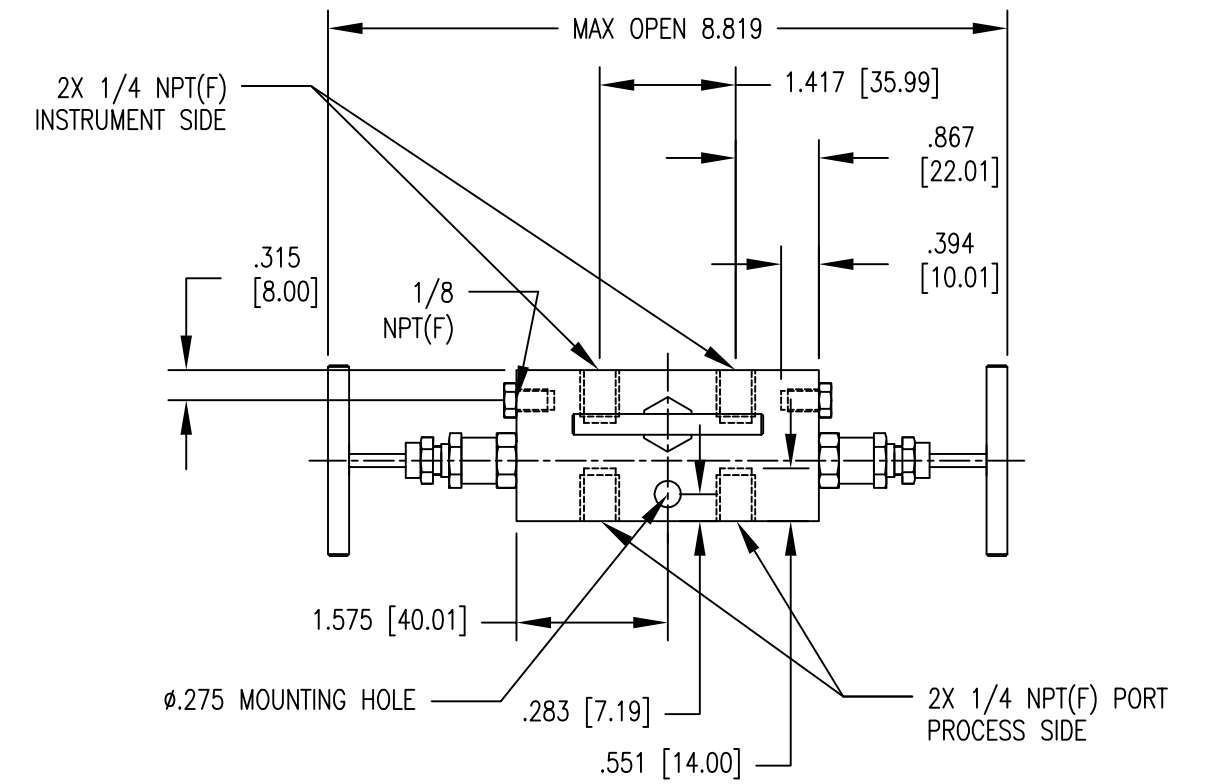
SCALE 1:2

		DATE 11-3-11	NAME BBV-1 SERIES 3-VALVE BLOCK MANIFOLD ARTWORK (FOR REFERENCE ONLY)	MATERIAL
		OWN BY HMA		FINISH
		CHKD		DWYER INSTRUMENTS, INC. MICHIGAN CITY, INDIANA 46360 U.S.A.
		APPD	SHEET 1 OF 3	
NO.	CHANGES	BY/DATE	ACAD2002	FR. NO. RB-700941-00

NOTICE: This drawing and the principles and elements of design embodied therein are the exclusive property of DWYER INSTRUMENTS, INC. and are not to be communicated, disclosed, reproduced or used except as previously authorized in writing by such corporation and must not be submitted to outside parties for examination without the written consent of said corporation.



BBV-1F



BBV-1B

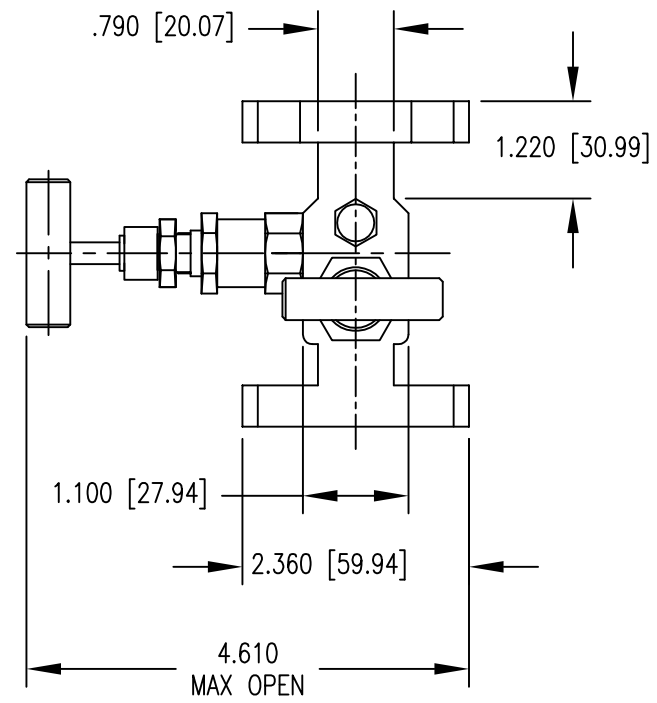
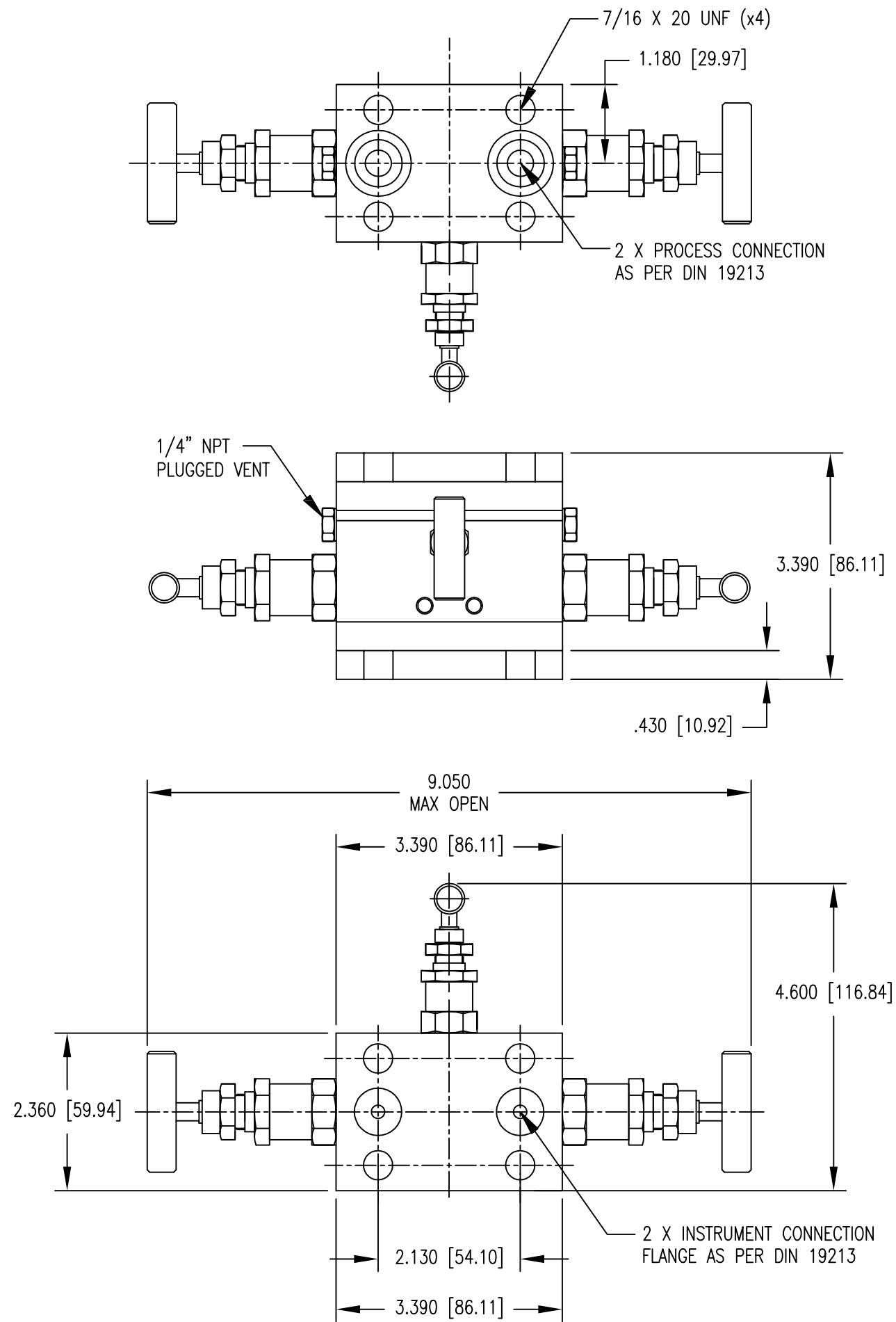
Ⓢ = CRITICAL DIMENSION
 STANDARD TOLERANCES UNLESS NOTED:
 ALL DECIMAL DIMENSIONS ± .005
 ALL ANGLES ± 1°

SCALE 1:2

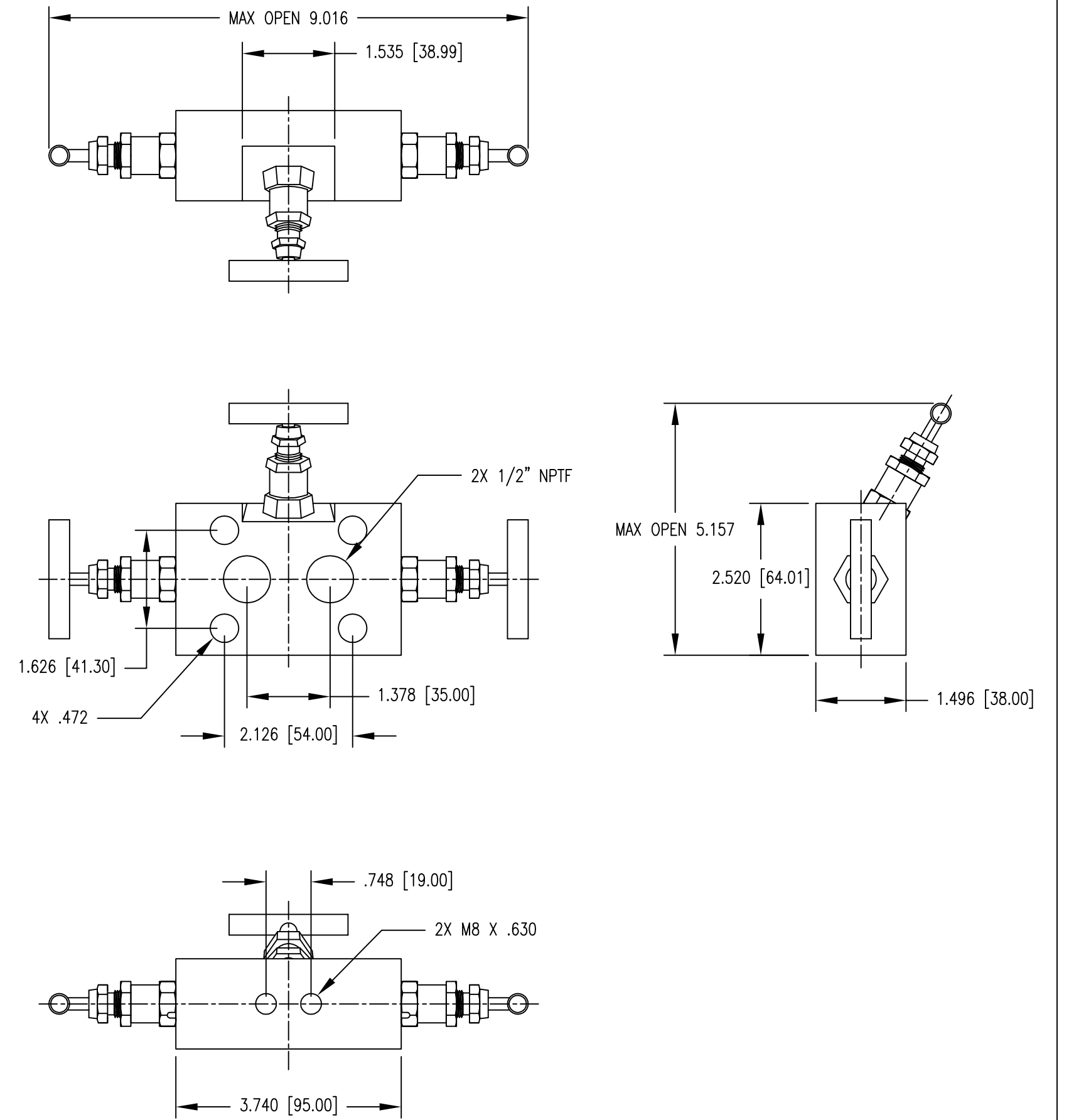
DATE 11-3-11	NAME BBV-1 SERIES 3-VALVE BLOCK MANIFOLD ARTWORK (FOR REFERENCE ONLY)	MATERIAL
DWN BY HMA		FINISH
CHKD		DWYER INSTRUMENTS, INC. MICHIGAN CITY, INDIANA 46360 U.S.A.
APPD	SHEET 2 OF 3	
	ACAD2002	

NOTICE: This drawing and the principles and elements of design embodied therein are the exclusive property of DWYER INSTRUMENTS, INC. and are not to be communicated, disclosed, reproduced or used except as previously authorized in writing by such corporation and must not be submitted to outside parties for examination without the written consent of said corporation.

3 FR. NO. RB-700941-00



BBV-1D



BBV-1M

Ⓢ = CRITICAL DIMENSION
STANDARD TOLERANCES UNLESS NOTED:
ALL DECIMAL DIMENSIONS ± .005
ALL ANGLES ± 1'

SCALE 1:2

DATE 11-3-11	NAME BBV-1 SERIES 3-VALVE BLOCK MANIFOLD ARTWORK (FOR REFERENCE ONLY)	MATERIAL
DWN BY HMA		FINISH
CHKD		DWYER INSTRUMENTS, INC. MICHIGAN CITY, INDIANA 46360 U.S.A.
APPD	SHEET 3 OF 3	FR. NO. RB-700941-00

ACAD2002
3
NOTICE: This drawing and the principles and elements of design embodied therein are the exclusive property of DWYER INSTRUMENTS, INC. and are not to be communicated, disclosed, reproduced or used except as previously authorized in writing by such corporation and must not be submitted to outside parties for examination without the written consent of said corporation.