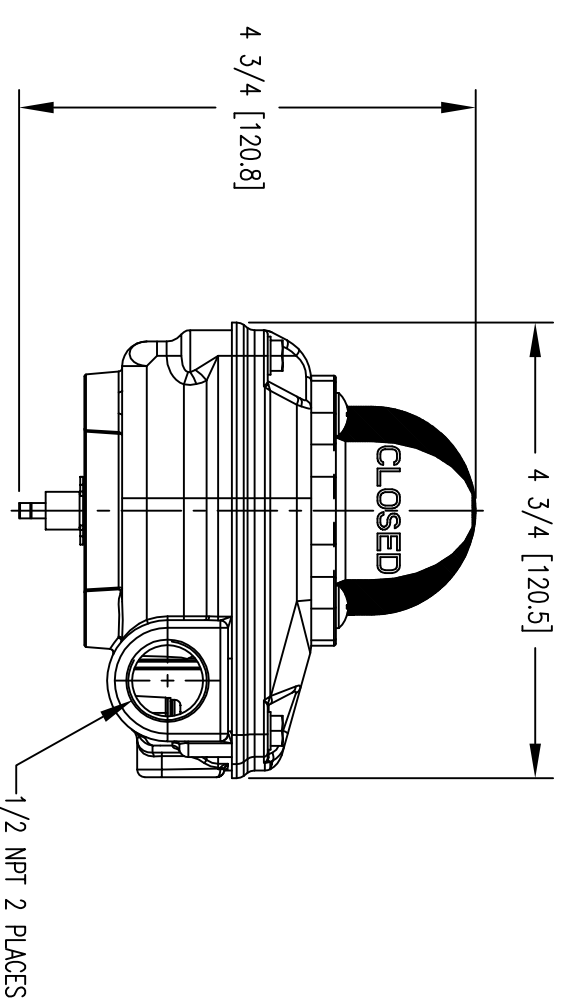


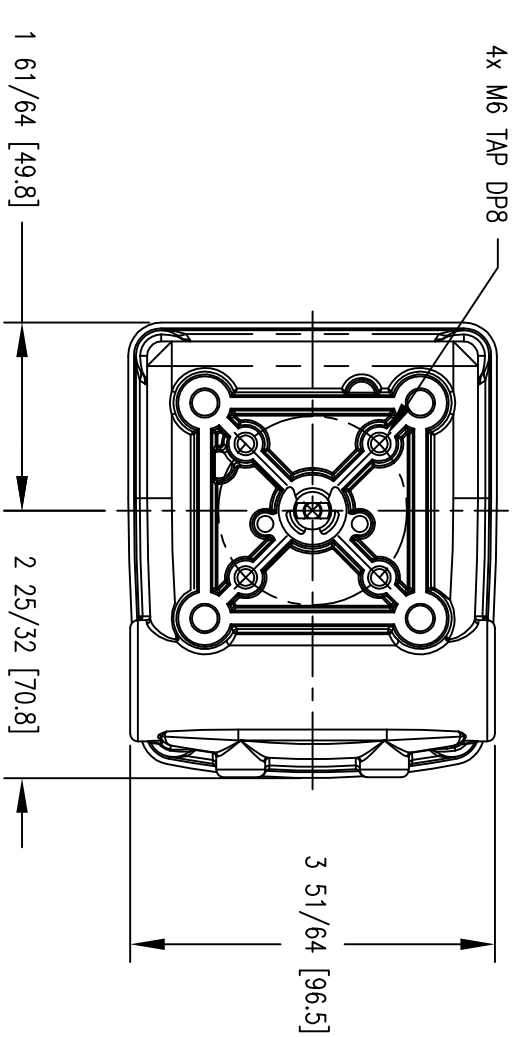
3 27/32 [97.5]



4 3/4 [120.8]

4 3/4 [120.5]

1/2 NPT 2 PLACES



4x M6 TAP DP8

3 51/64 [96.5]

1 61/64 [49.8]

2 25/32 [70.8]

Ⓢ = CRITICAL DIMENSION
 STANDARD TOLERANCES UNLESS NOTED:
 ALL DECIMAL DIMENSIONS ± .005
 ALL ANGLES ± 1°

		DATE		NAME		MATERIAL	
		DWN BY		VPI SERIES VALVE POSITION INDICATOR		FINISH	
		CHKD				DWYER INSTRUMENTS, INC.	
		APPD				MICHIGAN CITY, INDIANA 46360 U.S.A.	
NO.		CHANGES		BY/DATE		FR. NO.	
				ACAD2002		3	
<p>NOTICE: This drawing and the principles and elements of design embodied therein are the exclusive property of DWYER INSTRUMENTS, INC. and are not to be communicated, disclosed, reproduced or used except as previously authorized in writing by such corporation and must not be submitted to outside parties for examination without the written consent of said corporation.</p>							