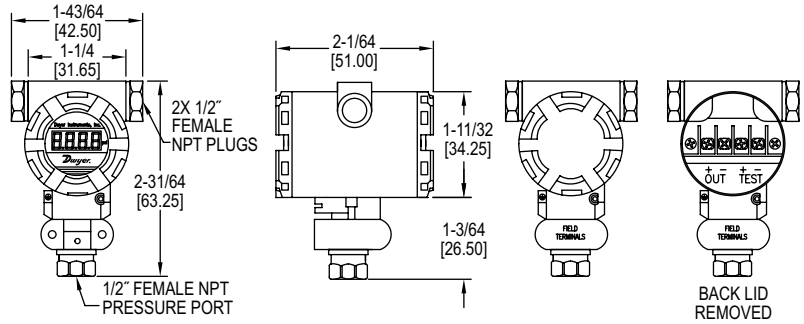


INDUSTRIAL WEATHERPROOF PRESSURE TRANSMITTER

Exceptional Reliability for Harsh Environments



The **Series IWP Industrial Weatherproof Pressure Transmitter** provides an exceptional value solution to pressure measurement in industrial conditions requiring high-performance, stability and long service life. The precise operation under dirty and wet conditions, make the Series IWP an ideal choice for petroleum, chemical and metallurgical industry applications.

FEATURES/BENEFITS

- Rugged, weather-proof design supports use in harsh environments

APPLICATIONS

- Harsh environments
- Process
- Chemical
- Petroleum
- Metallurgical

SPECIFICATIONS

Service: Gases and liquids compatible with wetted materials.
Wetted Materials: 304 and 316 stainless steel.
Accuracy: 0.5% FS.
Stability: <0.2% FS per year.
Temperature Limits: -22 to 203°F (-30 to 95°C).
Compensated Temperature Limits: 32 to 158°F (0 to 70°C).
Pressure Limits: 1.5 x pressure range.
Temperature Coefficient: 0.3% FS per 10°C.
Power Requirements: 12-36 VDC.
Output Signal: 4-20mA.
Loop Resistance: 1200 Ω max.
Electrical Conduit Connection: 1/2" female NPT.
Process Connection: 1/2" female NPT.
Enclosure Rating: IP65.

MODEL CHART	
Model	Pressure Range
IWP-00	0 to 30 psig
IWP-01	0 to 50 psig
IWP-02	0 to 100 psig
IWP-03	0 to 200 psig
IWP-04	0 to 300 psig
IWP-05	0 to 500 psig
IWP-10	0 to 30 psia

OPTIONS	
Use order code:	Description
NISTCAL-PT1	NIST traceable calibration certificate