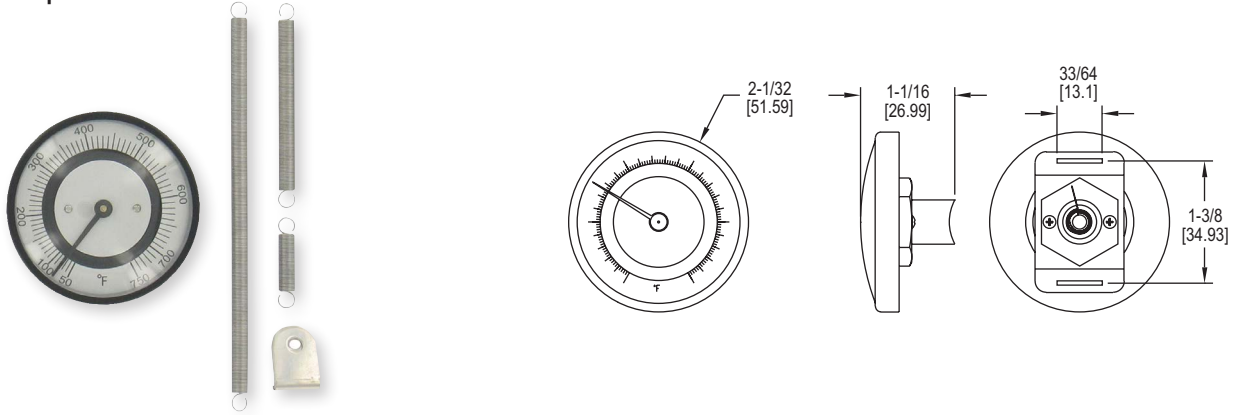


**Dwyer**

SERIES BTP

# PIPE-MOUNT BIMETAL SURFACE THERMOMETER

## 3 Spring Sizes, Fits Pipe Sizes from 3/4" to 6"



The **Series BTP Pipe-Mount Bimetal Surface Thermometer** is designed to accurately measure the surface temperature of a pipe.

### FEATURES/BENEFITS

- Pipe mount design complete with mounting hardware
- Fits 3/4" to 6" pipes

### APPLICATIONS

- HVAC
- Non-intrusive measurement

### MODEL CHART

Model	Range	Spring Size	Model	Range	Spring Size
<b>BTP251</b>	-50 to 250°F	3/4" to 6"	<b>BTP252</b>	-40 to 120°C	3/4" to 6"
<b>BTP241</b>	0 to 150°F	3/4" to 6"	<b>BTP262</b>	20 to 180°C	3/4" to 6"
<b>BTP261</b>	70 to 370°F	3/4" to 6"	<b>BTP272</b>	20 to 260°C	3/4" to 6"
<b>BTP271</b>	70 to 500°F	3/4" to 6"	<b>BTP242</b>	-18 to 66°C	3/4" to 6"

### SPECIFICATIONS

**Housing Material:** Steel.

**Lens:** Glass.

**Accuracy:** ±2%.

**Temperature Limits:** Ambient: 14 to 302°F (-10 to 150°C).

**Dial Size:** 2".

**Mounting:** Spring.

**Resolution:** < 4% of scale.

**Weight:** 3.4 oz (95 g).