

Dwyer

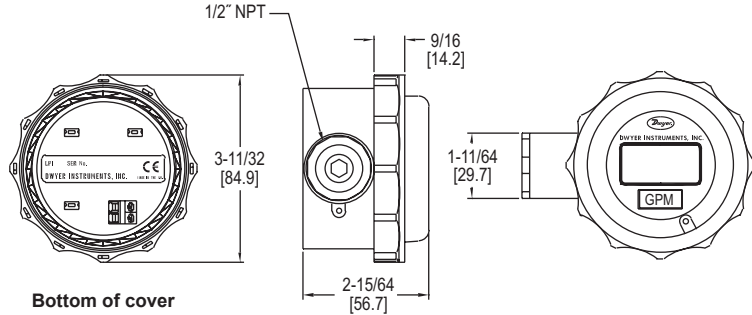
MODEL LPI

LOOP POWERED PROCESS INDICATOR

Square Root Function and User Defined Curves 4-Digit LED

CE

PROCESS CONTROL



Bottom of cover

The **Model LPI Loop Powered Process Indicator** accepts a 4-20 mA input signal and displays the associated process variable such as pressure, level, flow, temperature, or relative humidity. The indicator is housed in a NEMA 4X (IP66) polycarbonate enclosure with a 1/2" female NPT side port. Users can quickly modify the instrument configuration via three push-buttons on the front of the unit.

FEATURES/BENEFITS

- NEMA 4X (IP66) enclosure for outdoor applications
- Programmable input/output scaling, engineering units, offset, decimal point position, and password protection
- Bright red four-digit LED

APPLICATIONS

- Displays process values from various transmitters

SPECIFICATIONS @ 68°F (20°C)

Input: 4-20 mA.

Maximum Input Current: 100 mA for 1 minute.

Accuracy: ±0.02% FS.

Stability: Zero: 0.002%/°C; Span: 100 ppm/°C.

Power Requirements: 2-wire 4-20 mA loop powered.

Display: 4-digit, 7.6 mm (high) red LED.

Maximum Display Range: -1999 to 9999.

Ambient Operating Temperature: -4 to 167°F (-20 to 75°C).

Storage Temperatures: -58 to 185°F (-50 to 85°C).

Weight: 6.0 oz (170 g).

Front Panel Protection: NEMA 4X (IP66).

Agency Approvals: CE.

MODEL CHART

Model	Description
LPI-111	Loop powered indicator with plastic enclosure