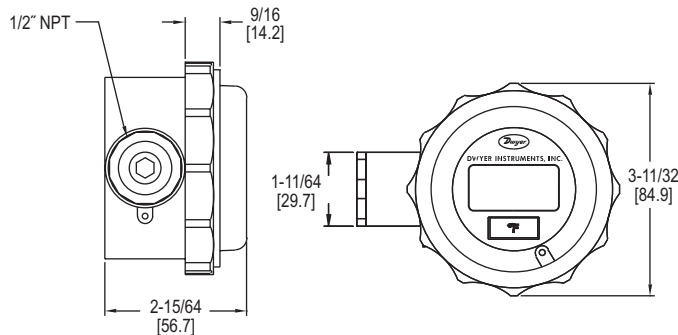


BATTERY POWERED TEMPERATURE INDICATOR

RTD or T/C Input, 4-Digit Display, Selectable °F or °C



Panel Meters/
Indicators

The **Series BPI Battery Powered Temperature Indicator** accepts RTD or thermocouple input and provides local or remote display of temperature measurements. The indicator is housed in a NEMA 4X (IP66) enclosure for additional protection from the environment. Users can quickly modify the instrument configuration via three push-buttons on the front of the unit.

FEATURES/BENEFITS

- Programmable input type, engineering units (°F/°C), offset temperature, decimal point position, and password protection
- Four-digit segmented display

APPLICATIONS

- Provides local temperature indication in areas without power availability

| MEASURING RANGES | |
|------------------|-----------------------------|
| Sensor | Range °F (°C) |
| K | -328 to 2498 (-200 to 1370) |
| J | -148 to 2192 (-100 to 1200) |
| T | -346 to 752 (-210 to 400) |
| N | -292 to 2372 (-180 to 1300) |
| R | 14 to 3200 (-10 to 1760) |
| S | 14 to 3200 (-10 to 1760) |
| E | -328 to 1832 (-200 to 1000) |
| F | -148 to 1112 (-100 to 600) |
| Pt100Ω | -148 to 1472 (-100 to 800) |
| Ni120 | -148 to 1472 (-100 to 800) |

| SPECIFICATIONS | |
|---------------------------------------|---|
| Inputs: | Thermocouple or RTD depending on model. |
| Accuracy: | Thermocouple input: ±0.1% FS, ±0.5°C (plus sensor); RTD: ±0.2°C ±0.1% of reading (plus sensor error). |
| Power Requirements: | 3.6 V AA lithium metal battery, included, user replaceable. |
| Battery Life: | > 2 years. |
| Display: | 0.3" (7.6 mm) 4-digit LCD. |
| Resolution: | 0.1°C. |
| Ambient Operating Temperature: | 14 to 158°F (-10 to 70°C). |
| Storage Temperature: | -4 to 185°F (-20 to 85°C). |
| Weight: | 6.0 oz (170 g). |
| Front Panel Protection: | NEMA 4X (IP66). |
| Agency Approvals: | CE. |

| MODEL CHART | |
|----------------|---|
| Model | Input |
| BPI-101 | 3-wire Pt100 or Ni120 |
| BPI-102 | K, J, T, N, R, S, E, or F thermocouples |