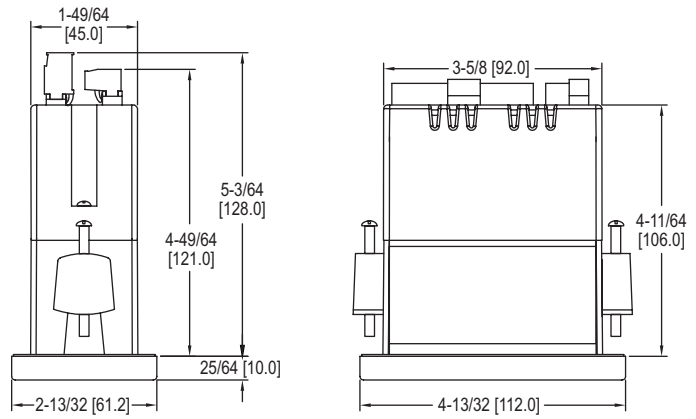


# TEMPERATURE PANEL METER

## 1/8 DIN TC and RTD Dual Line Display



The **Series LTI Temperature Panel Meter** can be programmed in the field to accept a thermocouple or RTD input and display the temperature on a six-digit dual line display. The upper display will display four digits of temperature as well as °C or °F symbol. The lower display can be programmed to contain a tag. The Series LTI meters feature a NEMA 4X / IP65 front panel making them ideal for wet, dusty and dirty environments. Options include 2 or 4 relays and a 4-20 mA output. The 4-20 mA output option turns the LTI into an isolated temperature transmitter with a digital display. The LTI includes free USB based programming software to make programming a breeze.

### FEATURES/BENEFITS

- J, K, T, E, R, S, B, N, C thermocouples
- 100 or 1000 Ω platinum, 10 Ω copper, 120 Ω nickel RTDs
- Automatic cold junction compensation
- NEMA 4X, IP65 front
- 2 or 4 relays + isolated 4-20 mA output options

### APPLICATIONS

- Temperature metering and monitoring

MODEL CHART	
Model	Description
LTI-100	85-265 VAC, no relays, no transmitter
LTI-101	85-265 VAC, no relays, 4-20 mA transmitter
LTI-120	85-265 VAC, 2 relays, no transmitter
LTI-121	85-265 VAC, 2 relays, 4-20 mA transmitter
LTI-140	85-265 VAC, 4 relays, no transmitter
LTI-141	85-265 VAC, 4 relays, no transmitter
LTI-200	12-24 VAC, no relays, no transmitter
LTI-201	12-24 VAC, no relays, 4-20 mA transmitter
LTI-220	12-24 VAC, 2 relays, no transmitter
LTI-221	12-24 VAC, 2 relays, 4-20 mA transmitter
LTI-240	12-24 VAC, 4 relays, no transmitter
LTI-241	12-24 VAC, 4 relays, 4-20 mA transmitter

### SPECIFICATIONS

**Inputs:** Thermocouple J, K, T, E, R, S, B, N, C; RTD 100 Ω platinum, 10 Ω copper, 120 Ω nickel, 1000 Ω platinum.

**Input Impedance:** Greater than 100 k Ω. Output signal (option): Isolated 4-20 mA.

**Power Requirements:** 85-265 VAC 50/60 Hz, 90-265 VDC or jumper selectable 12-24 VDC ±10%.

**Power Consumption:** 90-265 VAC models: 20 W max; 12-24 VDC models: 15 W max.

**Switch Rating (option):** 2 or 4 SPDT (Form C) internal and/or 4 SPST (Form A) external; Rated 3A @ 30 VDC and 125/250 VAC resistive load, 1/14 HP @ 125/250 VAC for inductive loads.

**Display:** Dual-line, 6-digit display. Resolution: 1° (up to four digits) or 0.1° (up to five digits).

**Temperature Limits:** Operating: -4 to 149°F (-20 to 65°C); Storage: -40 to 185°F (-40 to 85°C). Humidity limits: 0 to 90% (non-condensing).

**Front Panel Rating:** NEMA 4X, IP65. Weight: 9.5 oz (269 g).

**Agency Approvals:** CE, RoHS, cUL, UL.

**Programming Software:** Free, USB based. Resident on meter, nothing to download.

INPUT RANGE AND ACCURACY							
Type	Range (°F)	Range (°C)	Accuracy	Type	Range (°F)	Range (°C)	Accuracy
J	-200 to 2000	-129 to 1093	±1°C	J	-100 to 2300	-73 to 1260	±2°C
K	-200 to 2400	-129 to 1316	±1°C	C	32 to 4100	0 to 2260	±2°C
T	-200 to 752	-129 to 400	±1°C	10 Ω	-328 to 500	-200 to 260	±0.1°C
E	-200 to 1800	-129 to 982	±1°C	100 Ω	-328 to 1562	-200 to 850	±0.4°C
R	-50 to 3000	-46 to 1649	±2°C	120 Ω	-110 to 500	-79 to 260	±0.1°C
S	-50 to 3000	-46 to 1649	±2°C	1000 Ω	-328 to 900	-200 to 482	±0.4°C
B	752 to 3300	-400 to 1816	±2°C				