

1/4 DIN CONTROL ENCLOSURES

Weatherproof, Durable, Pre-Cut Mounting Hole

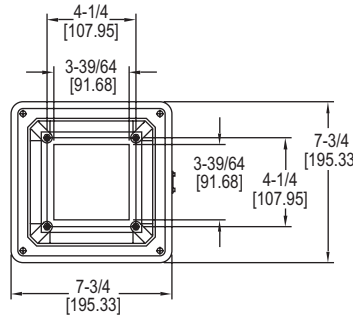
Level/Pump
Controllers



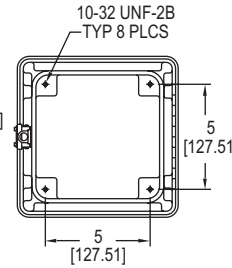
A-900



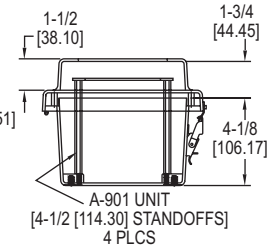
A-901



Top view



Bottom view



Side view

The **Model A-900 & A-901 1/4 DIN Control Enclosures** are rated weatherproof type NEMA 4X to protect controls from dirt, dust, oil, and water. The Model A-900 comes with a standard 1/4 DIN cutout in the front cover and the Model A-901 comes with a clear plastic front window. Both units feature a lockable latch to prevent unauthorized removal of the control from the enclosure.

FEATURES/BENEFITS

- UV stabilized for outdoor use
- Fiberglass material is easily punched or drilled for conduit connections
- Compatible with Love Series 2500, 2600, 4B, 4C, 4G, and Mercoid Series MPC, MPCJR

APPLICATIONS

- Wastewater remote pump stations
- Outdoor industrial ovens/furnaces/boilers

SPECIFICATIONS	
Service:	Indoor or outdoor.
Rating:	NEMA 1, 2, 3, 3R, 4, 4X, 12 and 13.
Materials:	Body: UV stabilized fiberglass reinforced polyester; Snap latch: 304 SS; Hinge: SS; Mounting feet and screws: 304 SS; Window: UV stabilized polycarbonate; Cover gasket: Neoprene.
Enclosure Rating:	NEMA 4X (IP66).
Control Temperature Limits:	When using the enclosures with controls that have 10 A relay outputs the extra heat generation decreases the maximum ambient temperature value that the control can be used at inside the enclosure. Other outputs on our controls are not a concern.
Agency Approvals:	UL.

MODEL CHART	
Model	Description
A-900	Weatherproof enclosure, NEMA 4X, control direct panel mounts in the front of the enclosure
A-901	Weatherproof enclosure, NEMA 4X, clear plastic window with rear panel for mounting the control inside the enclosure

ACCESSORIES	
Model	Description
A-600	R/C snubber

FOR MODELS: 25XX3, 26XX3, 26X3X, 26X33, MPC, MPCJR		
Ambient Temperature	A-900 Maximum Current	A-901 Maximum Current
77°F (25°C)	10 amps	10 amps
104°F (40°C)	10 amps	9 amps
131°F (55°C)	7.5 amps	6 amps