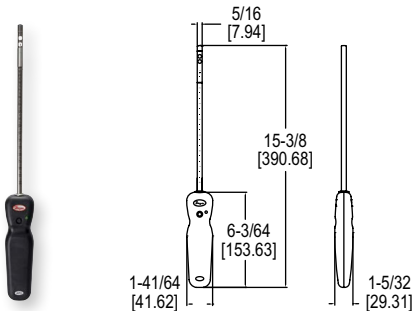


SERIES AP3

THERMO-ANEMOMETER PROBE

Wireless, Measures Velocity, Flow, and Temperature

**BENEFITS/FEATURES**

- Allows for one handed operation for ladder use safety
- Stable 50 ft (15 m) wireless range

APPLICATIONS

- Building commissioning
- Building HVAC test and balance

**SPECIFICATIONS****Service:** Dry, clean air.**Temperature Limits:** Process: -20 to 212°F (-29 to 100°C); Ambient: 5 to 125°F (-15 to 51°C).**Range:** Air velocity: 45 to 6000 FPM (0.23 to 30 m/s); Volumetric air: 999,999 in selected flow units; Temperature: -20 to 212°F (-29 to 100°C).**Accuracy:** Air velocity: ±3% FS within temperature range of 40 to 90°F (4 to 32°C) -TAB option: 50 to 3900 FPM (0.25 to 20m/s); Temperature: ±0.5°F (±0.28°C).**Response Time:** 1 s.**Probe Length:** 8" (203 mm) insertion (See model chart for optional probe lengths).**Battery Charging Limits:** 32 to 113°F (0 to 45°C).**Power Requirements:** 3.7 V YT562447 Lithium ion battery.**Maximum Wireless Distance:** 50' (15 m).**Handle Enclosure:** Thermoplastic elastomer over polycarbonate.**Supplied With:** Wrist strap.**Weight:** 11.2 oz (317 g).**Agency Approvals:** CE (not while charging), FCC compliant.**MODEL CHART**

Model	Probe Length
AP3	8" (203.2 mm)
AP3-18	18" (457.2 mm)
AP3-24	24" (609.6 mm)
AP3-36	36" (914.4 mm)