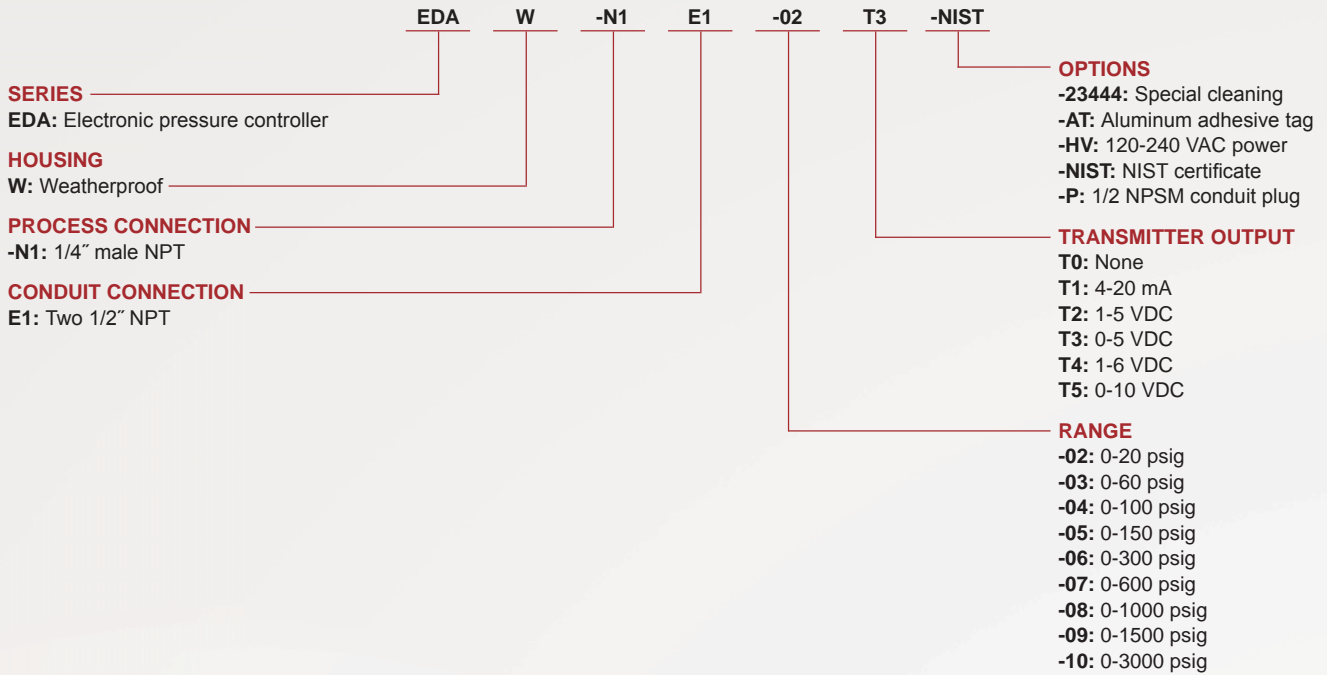


HOW TO ORDER

Use the **bold** characters from the chart below to construct a product code.



ACCESSORIES

Model	Description
A-590	1/2" conduit plug, watertight
A-EDA-BRK	Flush mount bracket for EDA, bracket is then surface mounted, steel with gray hammertone epoxy finish

ORDER ONLINE TODAY!

dwyer-inst.com/Product/SeriesEDA



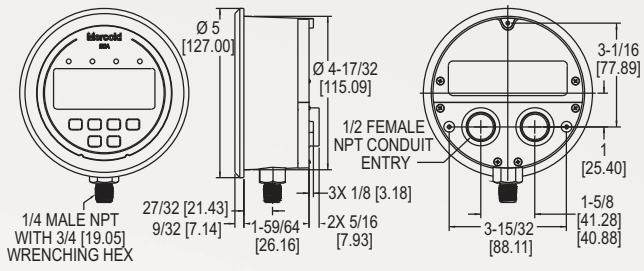
DWYER INSTRUMENTS, INC.

©Copyright 2021 Dwyer Instruments, Inc.
Printed in U.S.A. 2/21

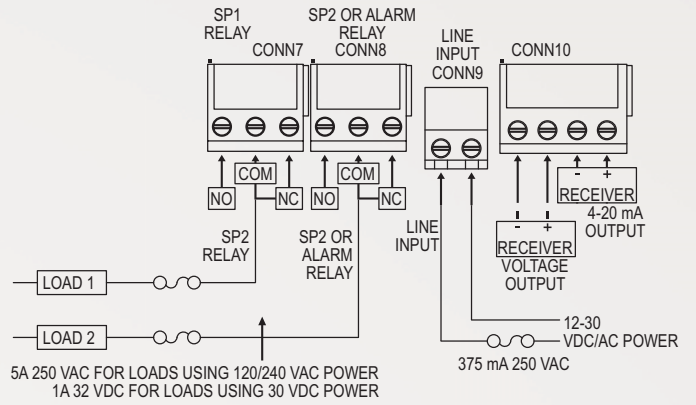
DS-EDA Rev. 2

Important Notice: Dwyer Instruments, Inc. reserves the right to make changes to or discontinue any product or service identified in this publication without notice. Dwyer advises its customers to obtain the latest version of the relevant information to verify, before placing any orders, that the information being relied upon is current.

DIMENSIONS



WIRING DIAGRAM



SPECIFICATIONS

Service	Compatible liquids and gases.
Wetted Materials	316L SS.
Housing	Glass filled plastic.
Accuracy	±1% of FS including linearity, hysteresis, and repeatability (indicator and transmitter).
Stability	< ±2% of FS per year.
Pressure Limits	1.5 x range.
Temperature Limits	Ambient: 20 to 140°F (-6.6 to 60°C); Process: 0 to 176°F (-18 to 80°C).
Compensated Temperature Limits	32 to 122°F (0 to 50°C).
Thermal Effect	±0.05% of F.S./°F.
Display	4-digit backlit LCD (Digits: 0.60" H x 0.33" W).
Power Requirements	12-28 VDC/AC 50/60 Hz. (Can work at 8 VDC for 45 s). For T5 option: 14-30 VDC/AC 50/60 Hz. For -HV option: 120-240 VAC.
Power Consumption	12-28 VDC/VAC: 2.5 watts; 120-240 VAC: 4.5 watts.
Electrical Connections	Removable terminal blocks with 1/2" female NPT conduit connections.
Enclosure Rating	Meets NEMA 4X (IP65).
Warm Up Time	<10 s.
Mounting Orientation	Any position.
Weight	1.18 lb (535 g).
Agency Approvals	CE, UL.

SWITCH SPECIFICATIONS

Switch Type	2 SPDT relays.
Electrical Rating	5 A @ 120/240 VAC, 1 A @ 30 VDC.
Repeatability	±1% of FS (switching only).
Set Points	Adjustable 0-100% of FS.
Switch Indication	External LED for each relay on the front panel.
Switch Reset	Manual or automatic.

TRANSMITTER SPECIFICATIONS

Output Signal	4-20 mA, 1-6 VDC, 1-5 VDC, or 0-10 VDC (direct or reverse output selection).
Minimum Excitation	14 VDC.
Zero and Span Adjustments	Menu scalable within the range.



SERIES EDA | MERCOID® ELECTRONIC PRESSURE CONTROLLER



FEATURES/BENEFITS

- Can replace separate gages, two switches and a transmitter in a system saving money, installation time, and panel space with its versatile and compact functionality
- Meets simple and complex application needs with fully programmable software
- Easily test switch and transmitter output function through the test mode that simulates input over the range without pressuring the system
- Protection in case of sensor failure, over pressure, high temperature limit, low temperature limit, or keypad short with fail-safe relay output choices
- Even wear on duplex pump applications via selectable alternation of the set points between relays
- Ideal for a wide variety of applications with panel mount, flush mount, or pipe mount ability due to its rugged weatherproof housing
- Eliminate the need of a step down transformer with the -HV 120/240 VAC power option

APPLICATIONS

- Process control
- Compressor control
- Filter status
- Duct or building static pressure
- Damper and fan control

DESCRIPTION

Series EDA Electronic Pressure Control is an extremely versatile compact package that can replace a separate gage, two switches, and a transmitter in a system saving money, installation time, and panel space. The EDA incorporates two SPDT relays that have the on and off points fully adjustable over the range for control or alarm use. Front face has LED indicators for switch status and a large backlight two-line display showing process value and indication units. Programming is easy with simple menu structure, two-line display, and external programming buttons. Weatherproof housing is ideal for a wide variety of applications with panel mount, flush mount, or pipe mount ability.