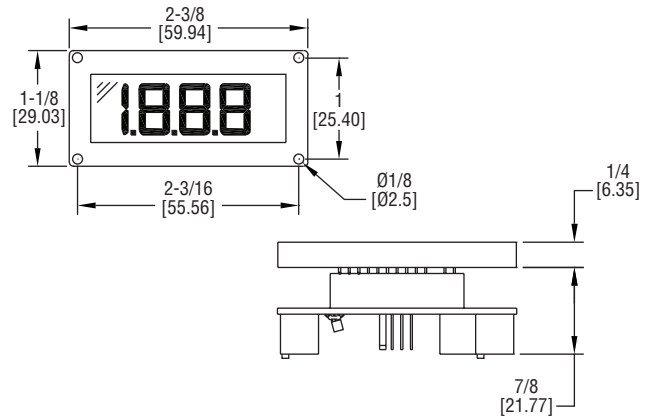




Series DPMF Flush Mount LCD Digital Panel Meter

Installation and Operating Instructions



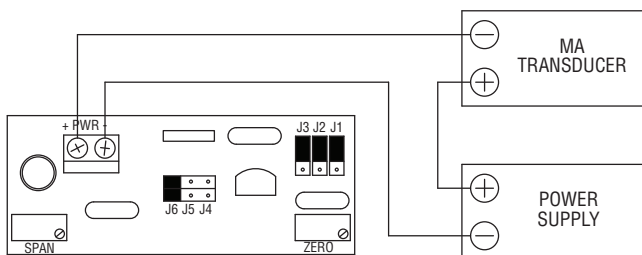
The Model DPMF Flush Mount LCD Digital Panel Meter offers high performance and low cost in a compact package. This meter is designed with a 3-1/2 digit, high contrast LCD display. The unit is powered by a 4 to 20 mA DC control loop input. Standard features include adjustable span and zero, and field-selectable decimal point position. The flat pack of the panel meter allows for the instrument to be mounted to any flat surface.

INSTALLATION

The Model DPMF is designed for surface mounting on any flat surface.

WIRING

The unit is powered by a 4 to 20 mA loop and the screw terminals for wiring are located on the back of the adder board marked with + PWR-.

**SPECIFICATIONS**

Input: 4 to 20 mA DC.

Input Impedance: 300 Ω nominal.

Accuracy: $\pm(0.1\% \text{ FS} + 2 \text{ count})$.

Power Supply: Powered by control loop.

Span and Zero: Adjustable (± 1999 counts).

Display: 3-1/2 digits, 7 segments, 0.5" (12 mm) H.

Decimal Points: 3-position, user selectable.

Polarity: Automatic, "-" displayed.

Operating Temperature: 32 to 122°F (0 to 50°C).

Storage Temperature: -4 to 158°F (-20 to 70°C).

Mounting: Surface mount.

Connection: Screw terminals.

Conversion Rate: 3 per second.

Warm-Up: 10 minutes typical.

Weight: 1.2 oz (34.5 g).

Agency Approvals: RoHS.

OPERATION

Selecting Decimal Point Position

Four decimal point positions are available on the digital panel meter. Move the jumper to correspond the desired decimal point. See Figure 1.

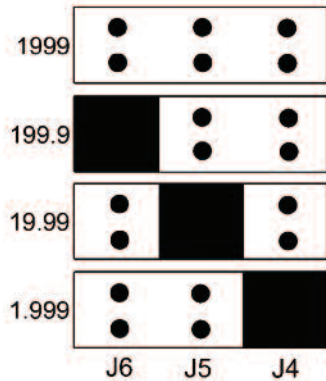


Figure 1

Setting Min/Max Display Value J1, J2, J3 (see Figure 2 & 3):

If:

The minimum display is ≤ 0 or minimum display is > 0 and the (maximum display \div minimum display) ≥ 5 ;

Then:

J1, J2 & J3 should be all set to the top jumper (see Figure 2).

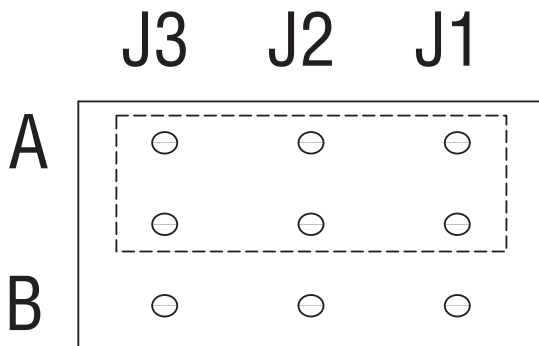


Figure 2

If:

The minimum display is > 0 and the (maximum display \div minimum display) < 5 ;

Then:

J1, J2 & J3 should all be set to the bottom jumper (see Figure 3).

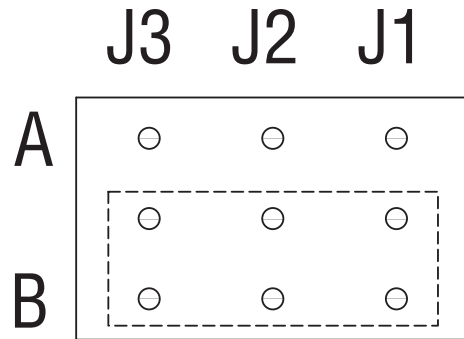


Figure 3

MAINTENANCE/REPAIR

Upon final installation of the Series DPMF, no routine maintenance is required. The Series DPMF is not field serviceable and should be returned if repair is needed. Field repair should not be attempted and may void warranty.

WARRANTY/RETURN

Refer to "Terms and Conditions of Sale" in our catalog and on our website. Contact customer service to receive a Return Goods Authorization number before shipping the product back for repair. Be sure to include a brief description of the problem plus any additional application notes.