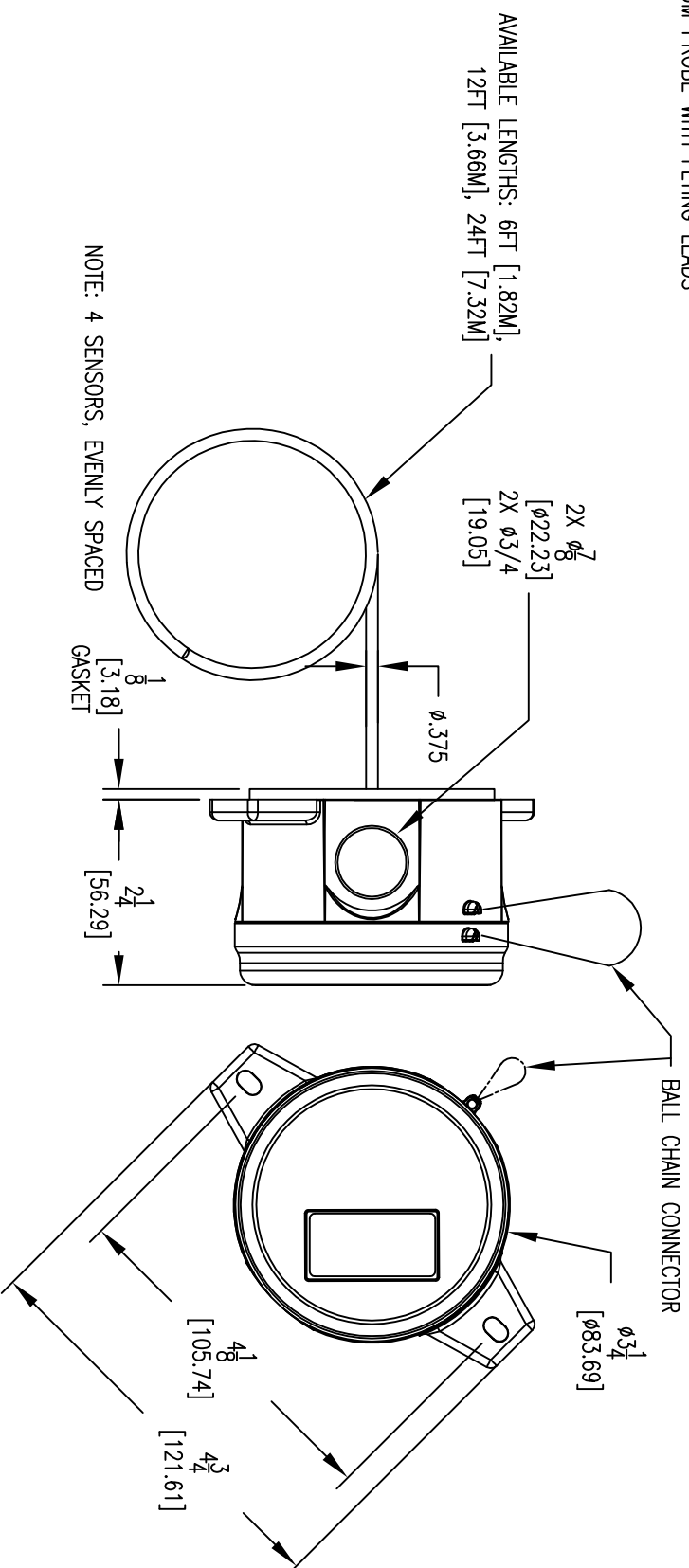
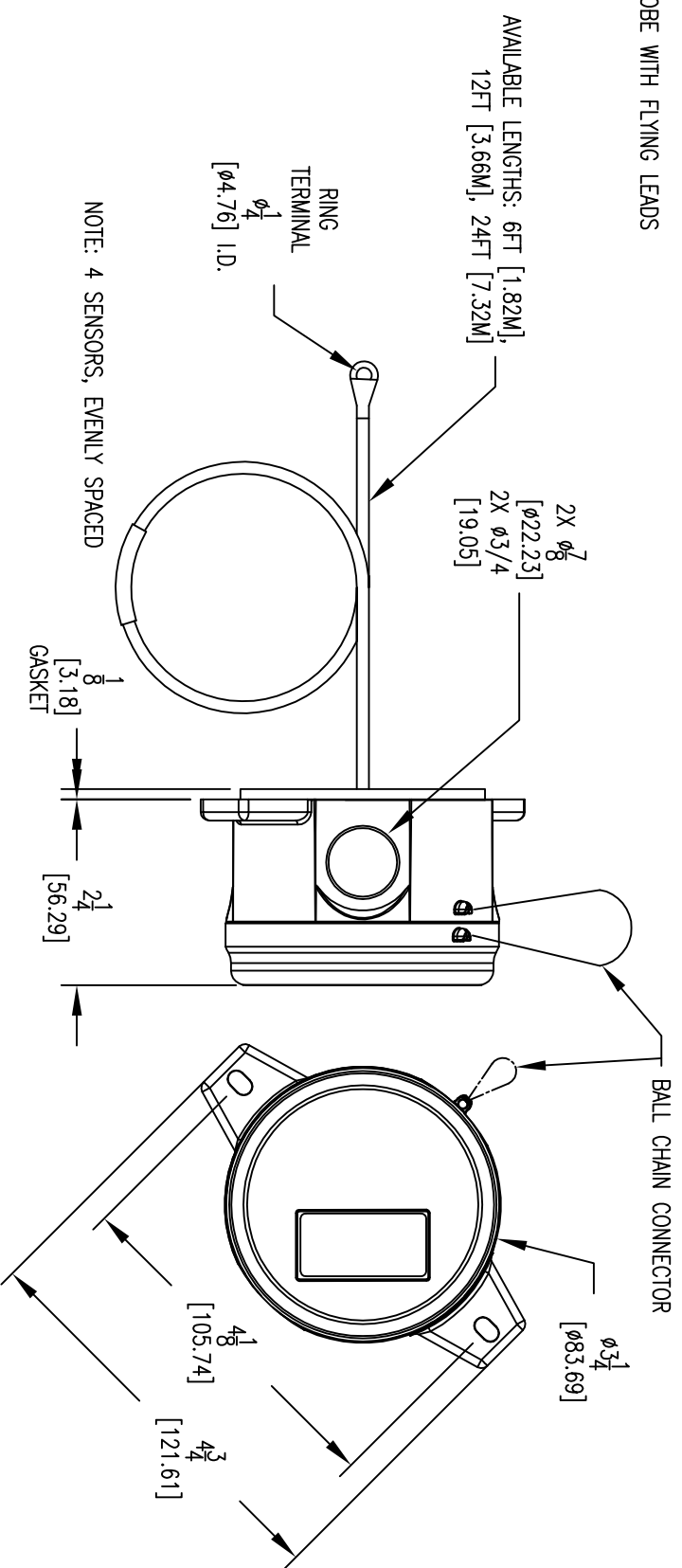


ALUM = BENDABLE ALUMINUM PROBE WITH FLYING LEADS



PLEN = PLENUM RATED PROBE WITH FLYING LEADS



Ⓢ = CRITICAL DIMENSION
STANDARD TOLERANCES UNLESS NOTED:
ALL DECIMAL DIMENSIONS ± .005
ALL ANGLES ± 1°

MATERIAL		DATE		NAME	
FINISH		3-15-11		TE-A	
Dwyer Instruments, Inc.		DWN BY		ARTWORK	
Michigan City, Indiana 46360 U.S.A.		CHKD			
		APPD			
NO.		CHANGES		BY/DATE	
				ACAD2002	
FR. NO. 08-720823-00				3	

NOTICE: This drawing and the principles and elements of design embodied therein are the exclusive property of DWYER INSTRUMENTS, INC. and are not to be communicated, disclosed, reproduced or used except as previously authorized in writing by such corporation and must not be submitted to outside parties for examination without the written consent of said corporation.